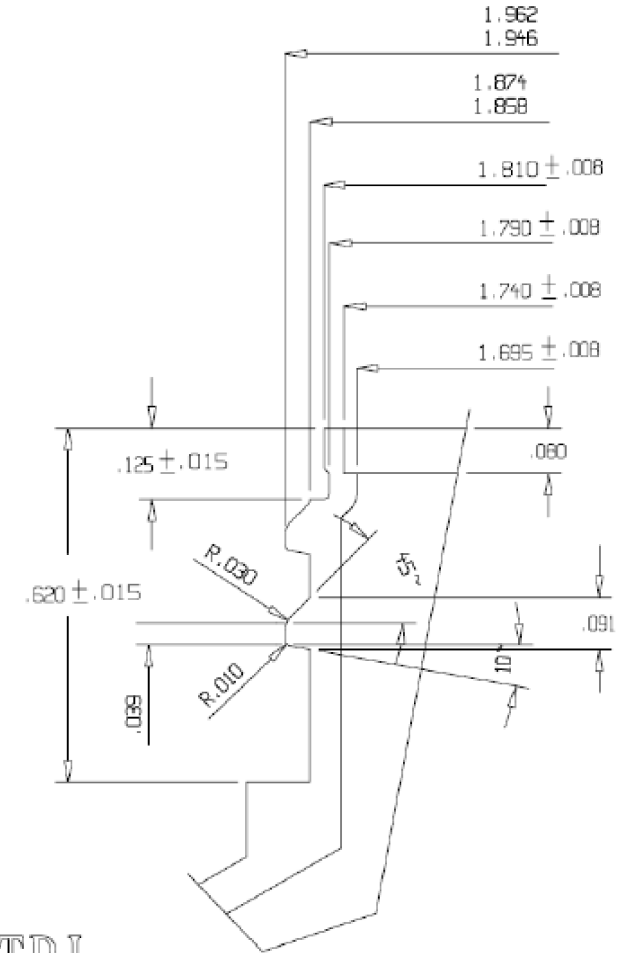
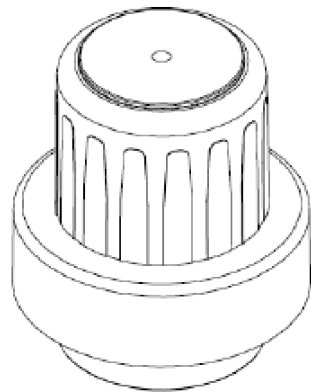
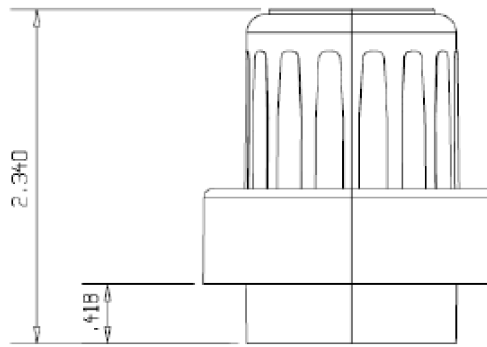
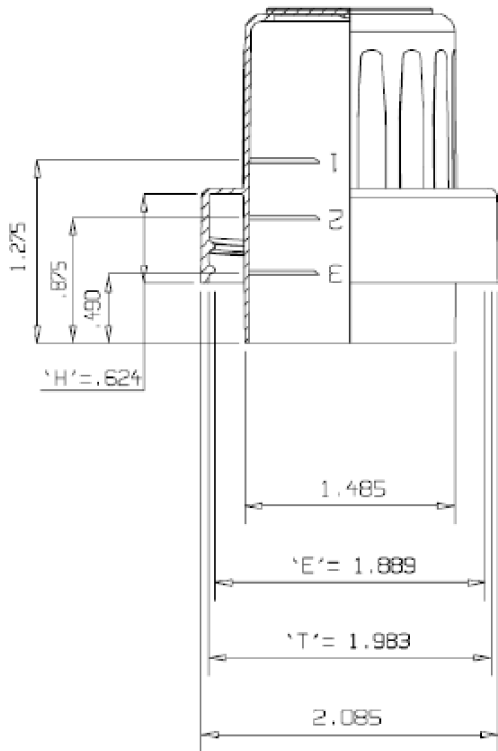


RECOMMENDED NECK FINISH



6 TPI

Fill Lines:

- 1- 25 ml
- 2- 35 ml
- 3- 45 ml
- Brinful- 55 ml

**Pipeline Packaging** 30310 Emerald Valley Pkwy  
 Glenwillow, OH 44139

PPC ITEM NUMBER: 72863	SKU: 05-16-024-00139
DRAWN BY:	CHECKED BY:
	DATE: 2/18/2019

DESCRIPTION: 51mm Detergent PP Closure	COLOR: -
PART MATERIAL: -	VOLUME: -
WEIGHT: -	
DWG NO.:	DWG SIZE: A
SHEET NO: 1 of 1	REV: -

**PROPRIETARY AND CONFIDENTIAL**

THE INFORMATION CONTAINED IN THIS DRAWING IS THE SOLE PROPERTY OF PIPELINE PACKAGING. ANY REPRODUCTION IN PART OR AS A WHOLE WITHOUT THE WRITTEN PERMISSION OF PIPELINE PACKAGING IS PROHIBITED.

**UNLESS OTHERWISE SPECIFIED:**

UNITS OF MEASURE: Inches

TOLERANCES: Specified in drawing