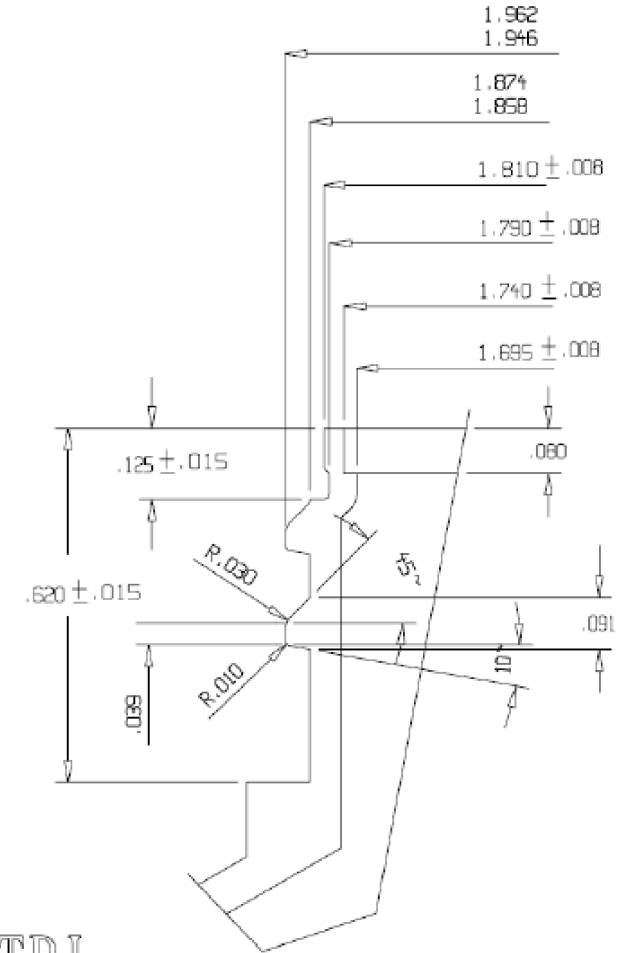
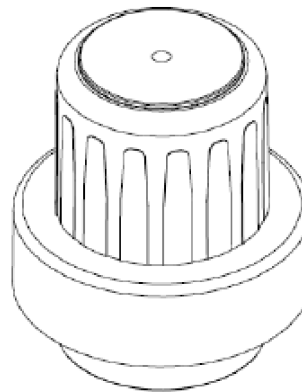
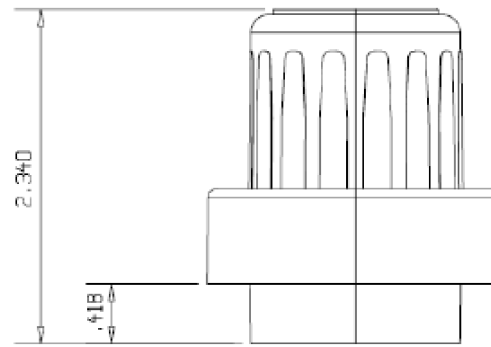
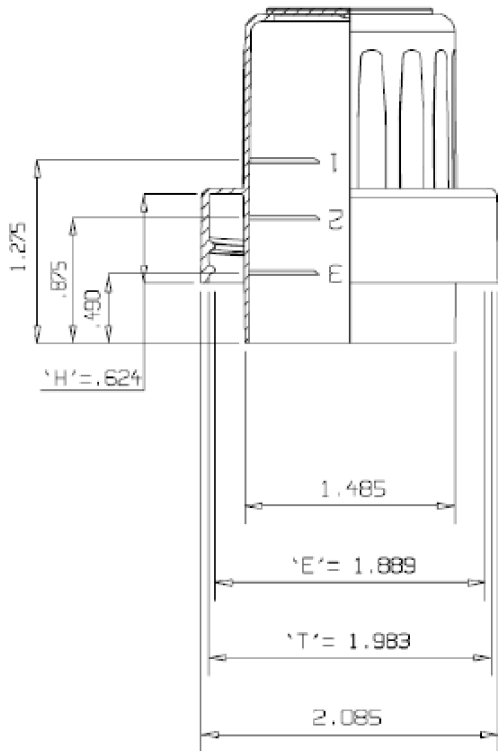



RECOMMENDED NECK FINISH



6 TPI

Fill Lines:

- 1- 25 ml
- 2- 35 ml
- 3- 45 ml
- Brinful- 55 ml

		30310 Emerald Valley Pkwy Glenwillow, OH 44139	
PPC ITEM NUMBER: 72862		SKU: 05-16-024-00140	
DRAWN BY:		CHECKED BY:	DATE: 2/18/2019
DESCRIPTION: 51mm Detergent PP Closure		COLOR:	
PART MATERIAL:		VOLUME:	WEIGHT:
DWG NO.:		DWG SIZE: A	SHEET NO: 1 of 1
REV:		-	

PROPRIETARY AND CONFIDENTIAL

THE INFORMATION CONTAINED IN THIS DRAWING IS THE SOLE PROPERTY OF PIPELINE PACKAGING. ANY REPRODUCTION IN PART OR AS A WHOLE WITHOUT THE WRITTEN PERMISSION OF PIPELINE PACKAGING IS PROHIBITED.

UNLESS OTHERWISE SPECIFIED:

UNITS OF MEASURE: Inches

TOLERANCES: Specified in drawing