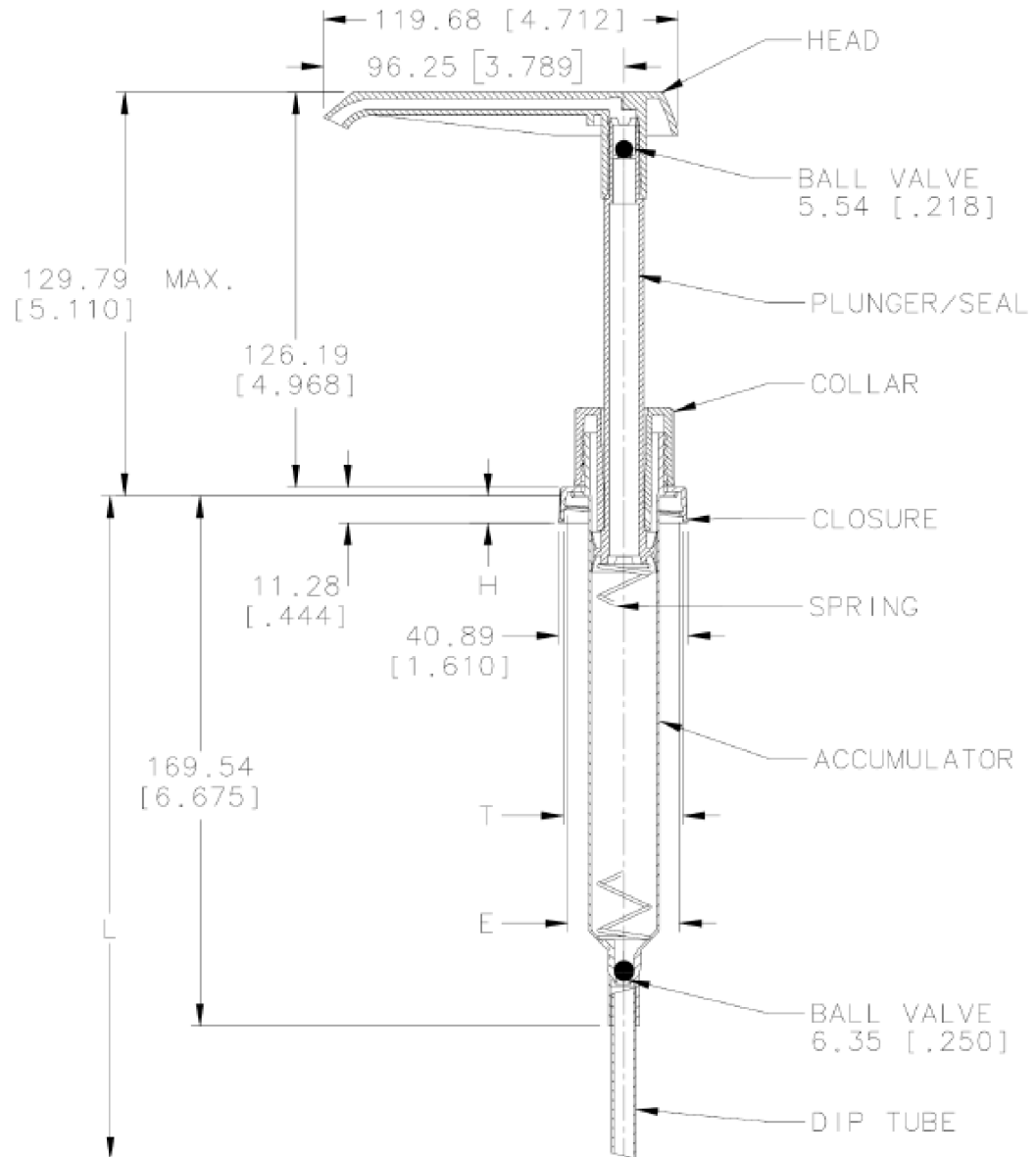


"UNCONTROLLED"

DIM	MIN	MAX
T	37.52 [1.477]	37.87 [1.491]
E	35.12 [1.383]	35.48 [1.397]
H	8.92 [.351]	9.68 [.381]



30310 Emerald Valley Pkwy
Glenwillow, OH 44139

PPC ITEM NUMBER: 72118 SKU: 05-16-026-00095

DRAWN BY: - CHECKED BY: - DATE: 2/18/2019

DESCRIPTION: 38-400 Dispensing PP Closure COLOR: -

PART MATERIAL: - VOLUME: - WEIGHT: -

DWG NO.: - DWG SIZE: A SHEET NO: 1 of 1 REV: -

PROPRIETARY AND CONFIDENTIAL

THE INFORMATION CONTAINED IN THIS DRAWING IS THE SOLE PROPERTY OF PIPELINE PACKAGING. ANY REPRODUCTION IN PART OR AS A WHOLE WITHOUT THE WRITTEN PERMISSION OF PIPELINE PACKAGING IS PROHIBITED.

UNLESS OTHERWISE SPECIFIED:

UNITS OF MEASURE: Inches

TOLERANCES: Specified in drawing