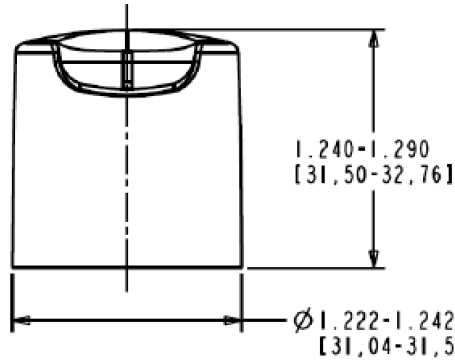
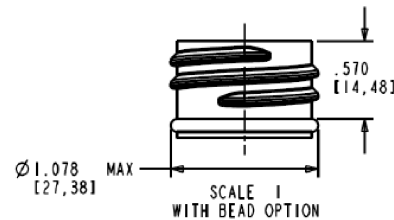


SECTION A-A
SCALE 1.50

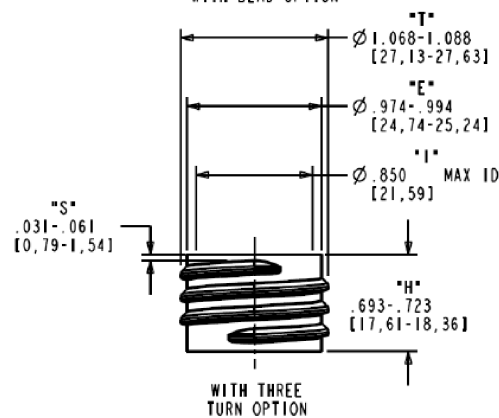


RECOMMENDED NECK FINISH

LAND MUST BE SMOOTH AND FREE OF NICKS OR RAGGED EDGES
6 T.P.I. - "M" STYLE THREAD
USE OF BEAD IS OPTIONAL
TWO THREAD TURNS STANDARD
THREE THREAD TURNS OPTIONAL



SCALE 1 WITH BEAD OPTION



WITH THREE TURN OPTION

NOMINAL ORIFICE SIZES AVAILABLE

- .170 X .430 [4,32 X 10,92]
- .170 X .330 [4,32 X 8,38]

NOTES:

1. THE "T" & "E" DIAMETERS ARE THE AVERAGE OF 2 MEASUREMENTS TAKEN APPROXIMATELY 90° APART
2. THE "T" DIAMETER IS TAKEN TOWARD THE BOTTOM OF THE CLOSURE JUST BELOW THE START OF FULL THREAD
3. THE "E" DIAMETER IS TAKEN AS CLOSE TO THE INSIDE DECK AS POSSIBLE
4. THE EFFECTIVE "H" DIMENSION CAN BE ESTIMATED BY SUBTRACTING .028 FROM THE SPECIFIED "H" DIMENSION. THIS REFLECTS THE ESTIMATED COMPRESSION OF THE SEALING MECHANISM AT NOMINAL APPLICATION TORQUE



Pipeline Packaging 30310 Emerald Valley Pkwy
Glenwillow, OH 44139

PPC ITEM NUMBER: 72103		SKU: 05-16-026-00118	
DRAWN BY: -	CHECKED BY: -	DATE: 2/18/2019	
DESCRIPTION: 28-410 Dispensing PP Closure		COLOR: -	
PART MATERIAL: -	VOLUME: -	WEIGHT: -	
DWG NO.: -	DWG SIZE: A	SHEET NO: 1 of 1	REV: -

PROPRIETARY AND CONFIDENTIAL

THE INFORMATION CONTAINED IN THIS DRAWING IS THE SOLE PROPERTY OF PIPELINE PACKAGING. ANY REPRODUCTION IN PART OR AS A WHOLE WITHOUT THE WRITTEN PERMISSION OF PIPELINE PACKAGING IS PROHIBITED.

UNLESS OTHERWISE SPECIFIED:

UNITS OF MEASURE: Inches
TOLERANCES: Specified in drawing