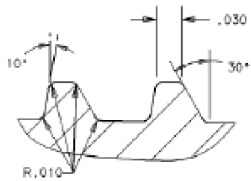
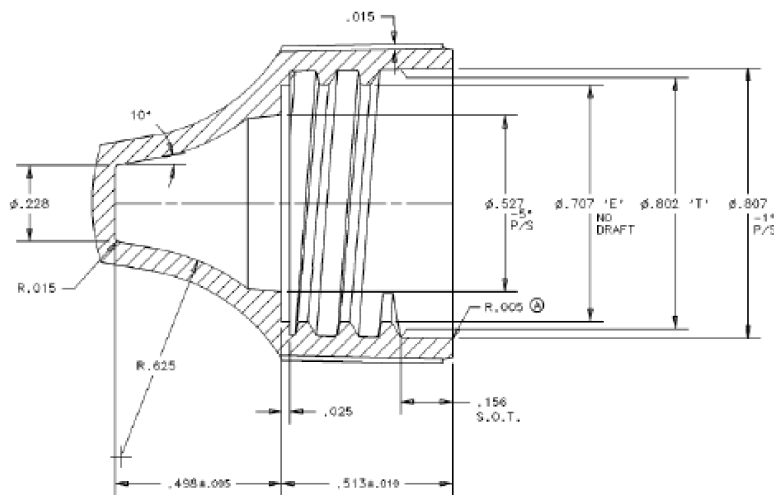
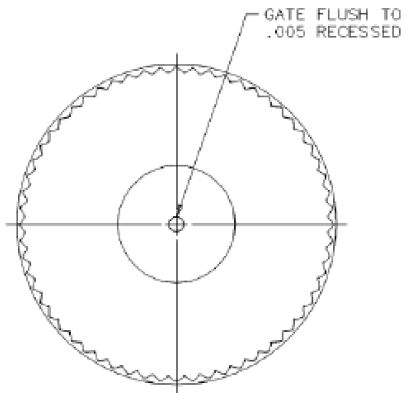
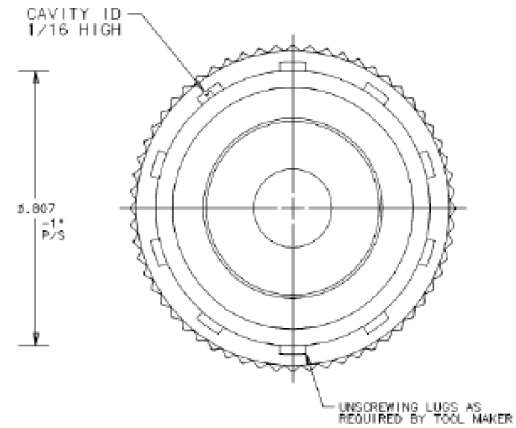
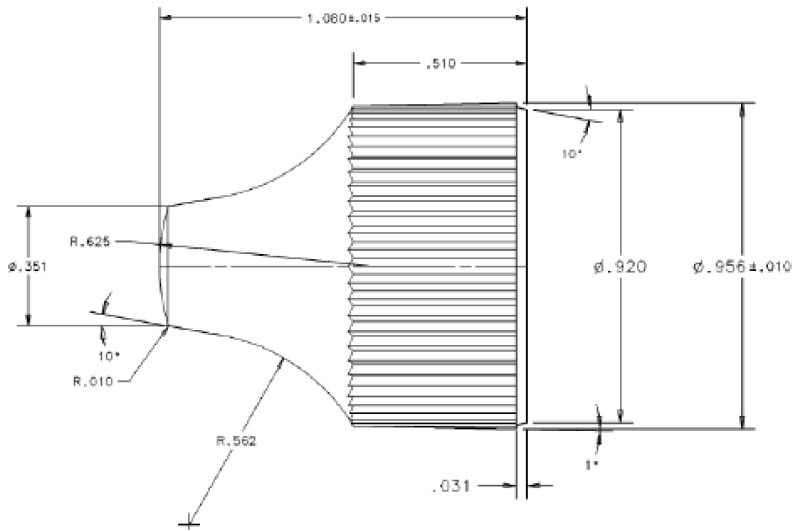


**SERRATION DETAIL**  
60 EQUALLY SPACED  
SCALE: 20x1



**THREAD DETAIL**  
8 T.P.I.  
SCALE: 10x1



- NOTES:
- 1) TOLERANCES APPLY TO THE AVERAGE OF TWO MEASUREMENTS TAKEN 90° APART ON DIAMETERS.
  - 2) ALL DIMENSIONS APPLY AS MOLDED
  - 3) ESTIMATED WEIGHT: 2.54 GRAMS
  - 4) REFERENCE #15025



**Pipeline Packaging**

30310 Emerald Valley Pkwy  
Glenwillow, OH 44139

PPC ITEM NUMBER: 72098		SKU: 05-16-026-00127	
DRAWN BY: -	CHECKED BY: -	DATE: 2/18/2019	
DESCRIPTION: 20-410 Dispensing PP Closure		COLOR: -	
PART MATERIAL: -	VOLUME: -	WEIGHT: -	
DWG NO.: -	DWG SIZE: A	SHEET NO: 1 of 1	REV: -

**PROPRIETARY AND CONFIDENTIAL**

THE INFORMATION CONTAINED IN THIS DRAWING IS THE SOLE PROPERTY OF PIPELINE PACKAGING. ANY REPRODUCTION IN PART OR AS A WHOLE WITHOUT THE WRITTEN PERMISSION OF PIPELINE PACKAGING IS PROHIBITED.

**UNLESS OTHERWISE SPECIFIED:**

UNITS OF MEASURE: Inches

TOLERANCES: Specified in drawing