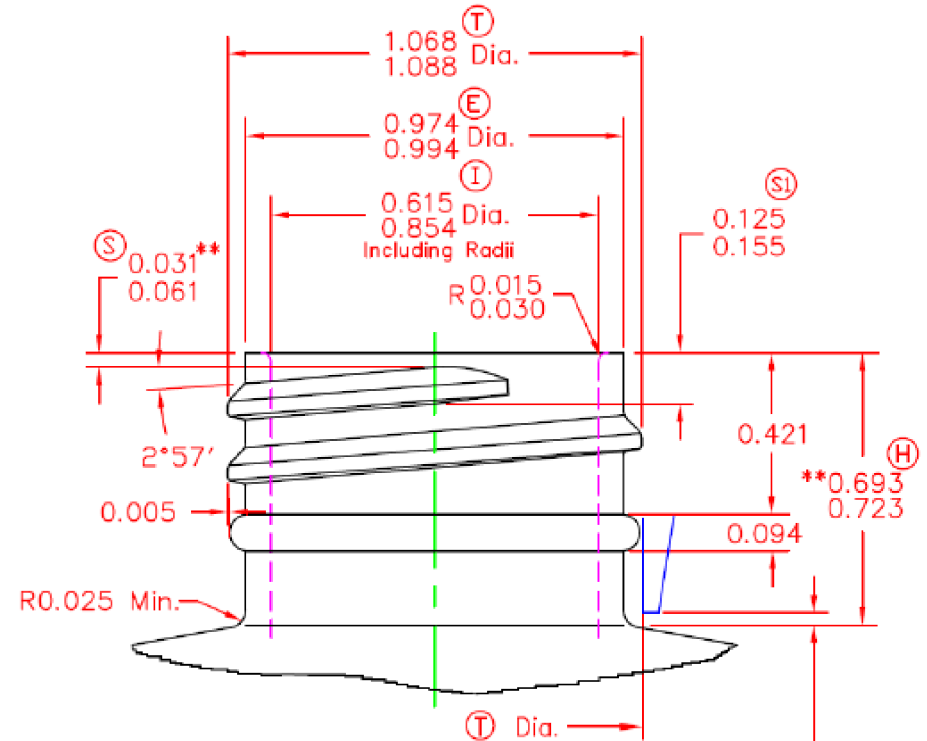


Per C.M.A. Standard
"T" = 1.103/1.089 Dia.
"E" = 1.009/0.995 Dia.



**Bottle "H" Dim. Creates a
Cap Skirt-Bottle Shoulder
Clearance Of .015" To .061"
This can be adjusted to Suit
Aesthetic Requirements
(Min. Functional "H" .678")

- BOTTLE NOTES:
- 1) Thread: 6 Pitch, Per S.P.I. Standard.
 - 2) Diameters must be concentric within .015" T.I.R.
 - 3) All Dimensions are in inches unless otherwise indicated.

Ⓢ

Dimensions marked * are an average of two measurements taken 90° apart.
GENERAL TOLERANCE NOT SHOWN OTHERWISE: ± .008



Pipeline Packaging

30310 Emerald Valley Pkwy
Glenwillow, OH 44139

PPC ITEM NUMBER: 72409		SKU: 05-16-026-00192	
DRAWN BY:		CHECKED BY:	
		DATE: 2/18/2019	
DESCRIPTION: 28-410 Dispensing PP Closure			COLOR: -
PART MATERIAL: -	VOLUME: -	WEIGHT: -	
DWG NO.:	DWG SIZE: A	SHEET NO: 1 of 1	REV: -

PROPRIETARY AND CONFIDENTIAL

THE INFORMATION CONTAINED IN THIS DRAWING IS THE SOLE PROPERTY OF PIPELINE PACKAGING. ANY REPRODUCTION IN PART OR AS A WHOLE WITHOUT THE WRITTEN PERMISSION OF PIPELINE PACKAGING IS PROHIBITED.

UNLESS OTHERWISE SPECIFIED:

UNITS OF MEASURE: Inches
TOLERANCES: Specified in drawing