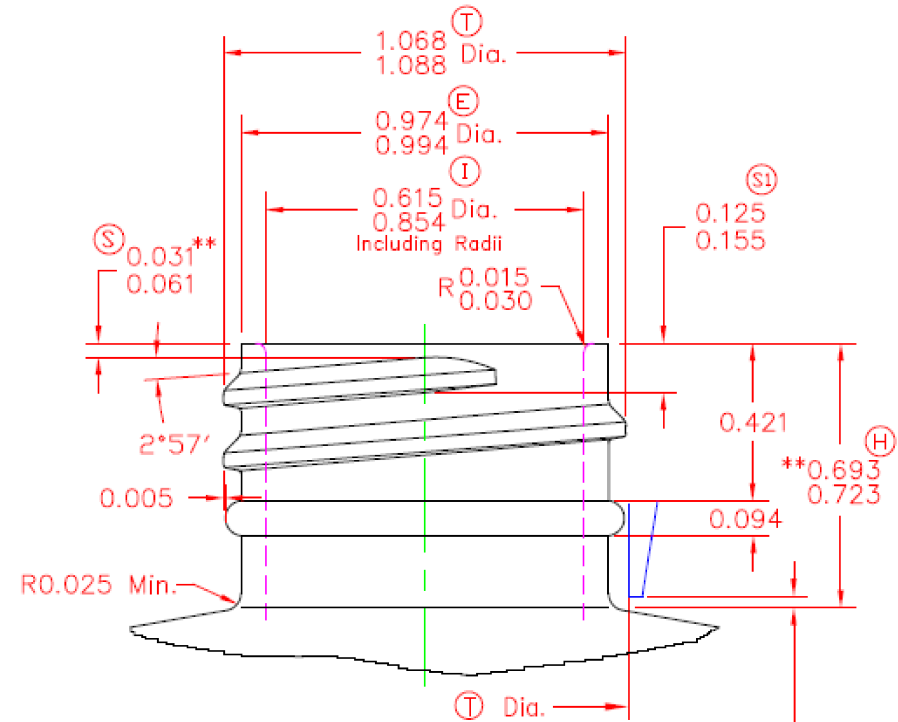
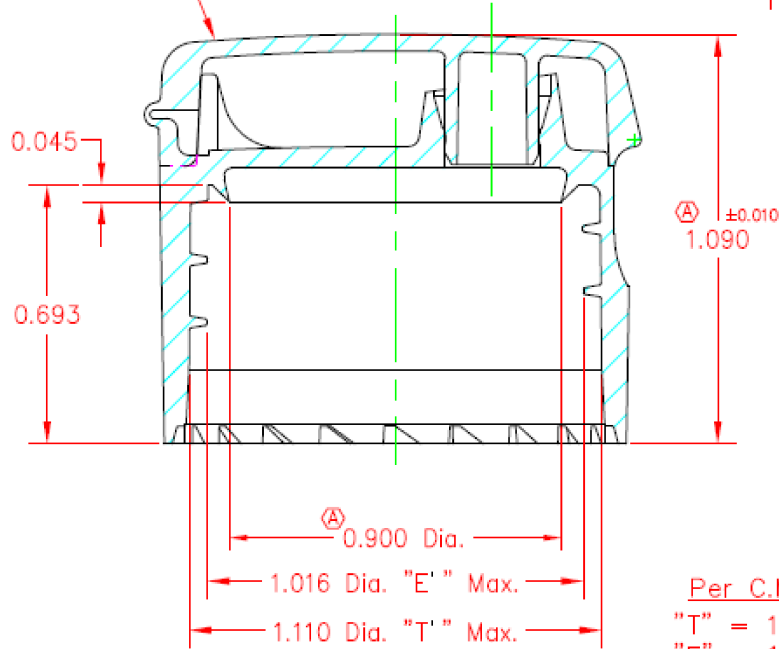
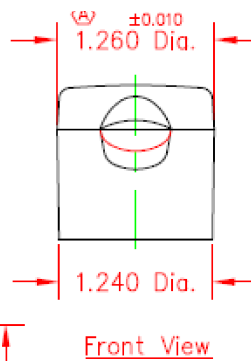


1.062 Dia. Logo/Engraving Inserts
Available on top of
Closure for Custom
Applications



BOTTLE NOTES:

- 1) Thread: 6 Pitch, Per S.P.I. Standard.
- 2) Diameters must be concentric within .015" T.I.R.
- 3) All Dimensions are in inches unless otherwise indicated.

ⓑ

Dimensions marked * are an average of two measurements taken 90° apart.
GENERAL TOLERANCE NOT SHOWN OTHERWISE: ± .008

Pipeline Packaging 30310 Emerald Valley Pkwy
Glenwillow, OH 44139

PPC ITEM NUMBER: 72701 SKU: 05-16-026-00197
DRAWN BY: - CHECKED BY: - DATE: 12/18/2018

DESCRIPTION: 28-410 Dispensing PP Closure COLOR: -
PART MATERIAL: - VOLUME: - WEIGHT: -
DWG NO.: - DWG SIZE: A SHEET NO: 1 of 1 REV: -

PROPRIETARY AND CONFIDENTIAL

THE INFORMATION CONTAINED IN THIS DRAWING IS THE SOLE PROPERTY OF PIPELINE PACKAGING. ANY REPRODUCTION IN PART OR AS A WHOLE WITHOUT THE WRITTEN PERMISSION OF PIPELINE PACKAGING IS PROHIBITED.

UNLESS OTHERWISE SPECIFIED:

UNITS OF MEASURE: Inches
TOLERANCES: Specified in drawing