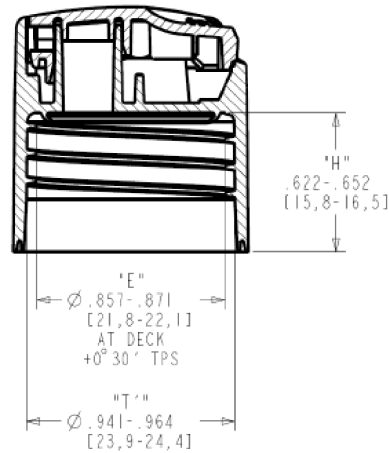
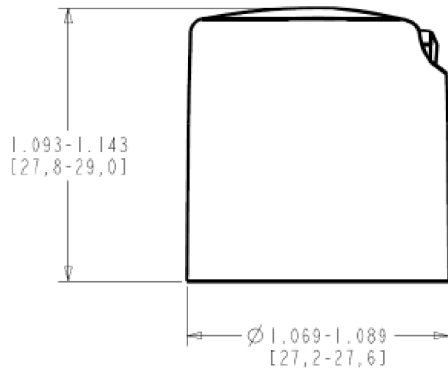


RECOMMENDED NECK FINISH
 LAND MUST BE SMOOTH AND FREE
 OF GOUGES OR RAGGED EDGES
 8 T.P.I "M" STYLE THREAD
 USE OF BEAD IS OPTIONAL
 TWO THREAD TURNS STANDARD
 THREE THREAD TURNS RECOMMENDED
 SCALE 2



SECTION A-A



1. THE "T" & "E" DIAMETERS ARE THE AVERAGE OF 2 MEASUREMENTS TAKEN APPROXIMATELY 90° APART.
2. THE "T" DIAMETER IS TAKEN TOWARD THE BOTTOM OF THE CLOSURE JUST BELOW THE START OF FULL THREAD.
3. THE "E" DIAMETER IS TAKEN AS CLOSE TO THE INSIDE DECK AS POSSIBLE.
4. THE EFFECTIVE "H" DIMENSION CAN BE ESTIMATED BY SUBTRACTING .028" FROM THE SPECIFIED "H" DIMENSION. THIS REFLECTS THE ESTIMATED COMPRESSION OF THE SEALING MECHANISM AT NOMINAL APPLICATION TORQUE.

NOMINAL ORIFICE SIZES AVAILABLE

	.110 X .310 [2,8 X 7,9]
	.110 X .166 [2,8 X 4,2]

30310 Emerald Valley Pkwy
 Glenwillow, OH 44139

PPC ITEM NUMBER: 72174	SKU: 05-16-026-00228
DRAWN BY: -	CHECKED BY: -
DATE: 2/18/2019	

DESCRIPTION: 24-410 Dispensing PP Closure	COLOR: -
PART MATERIAL: -	VOLUME: -
WEIGHT: -	
DWG NO.: -	DWG SIZE: A
SHEET NO: 1 of 1	REV: -

PROPRIETARY AND CONFIDENTIAL

THE INFORMATION CONTAINED IN THIS DRAWING IS THE SOLE
 PROPERTY OF PIPELINE PACKAGING. ANY REPRODUCTION IN
 PART OR AS A WHOLE WITHOUT THE WRITTEN PERMISSION OF
 PIPELINE PACKAGING IS PROHIBITED.

UNLESS OTHERWISE SPECIFIED:

UNITS OF MEASURE: Inches
 TOLERANCES: Specified in drawing