

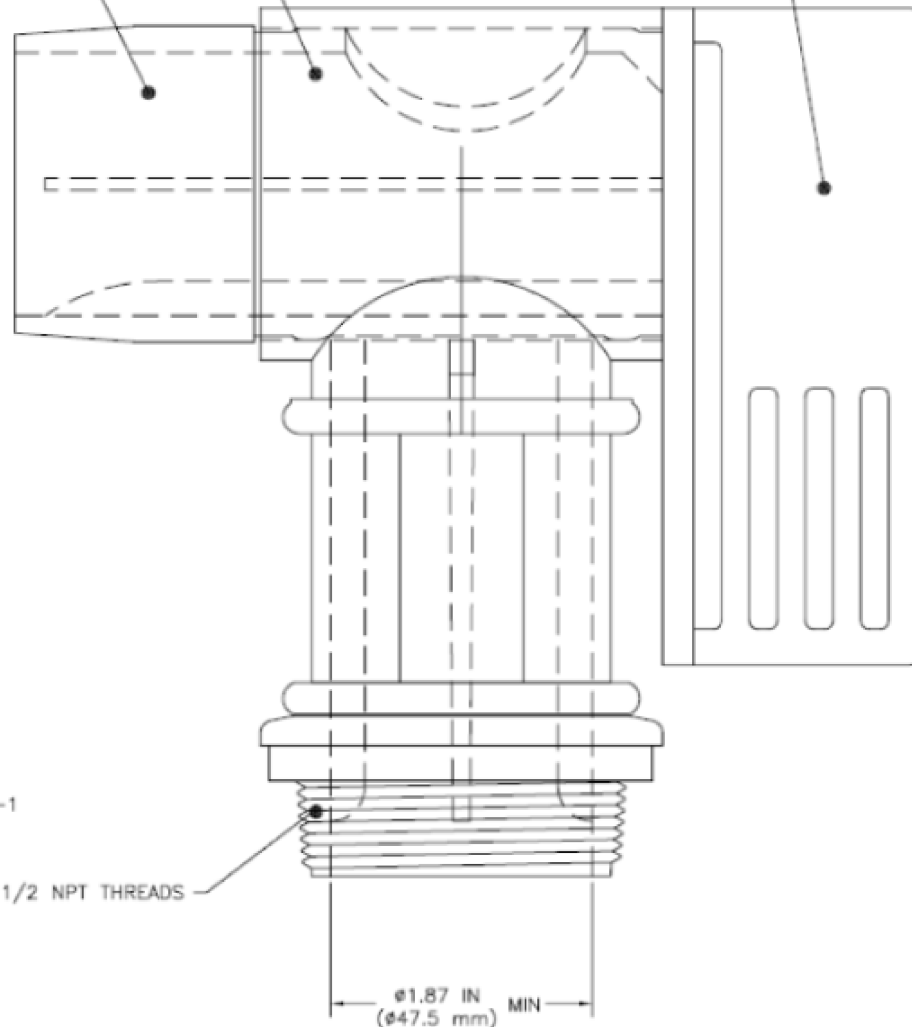
Ⓛ

LOW DENSITY POLYETHYLENE

Ⓛ Ⓧ

POLYETHYLENE BLEND

AREA FOR CUSTOM IMPRINTING



GK-93W-1

2"-11 1/2 NPT THREADS

MAXIMUM OVERALL LENGTH IN
 OPEN POSITION: 8.18 IN (207.7 mm)
 CLOSED POSITION: 6.00 IN (152.4 mm)

NOTE: MATERIALS USED MEET FDA REQUIREMENTS *
 * DEPENDING ON COLOR



Pipeline Packaging

30310 Emerald Valley Pkwy
 Glenwillow, OH 44139

PPC ITEM NUMBER: 99653		SKU: 05-16-072-00120	
DRAWN BY: -	CHECKED BY: -	DATE: 3/20/2019	
DESCRIPTION: 2" Spout PP Closure		COLOR: -	
PART MATERIAL: -	VOLUME: -	WEIGHT: -	
DWG NO.:	DWG SIZE: A	SHEET NO: 1 of 1	REV: -

PROPRIETARY AND CONFIDENTIAL
 THE INFORMATION CONTAINED IN THIS DRAWING IS THE SOLE PROPERTY OF PIPELINE PACKAGING. ANY REPRODUCTION IN PART OR AS A WHOLE WITHOUT THE WRITTEN PERMISSION OF PIPELINE PACKAGING IS PROHIBITED.

UNLESS OTHERWISE SPECIFIED:
 UNITS OF MEASURE: Inches
 TOLERANCES: Specified in drawing