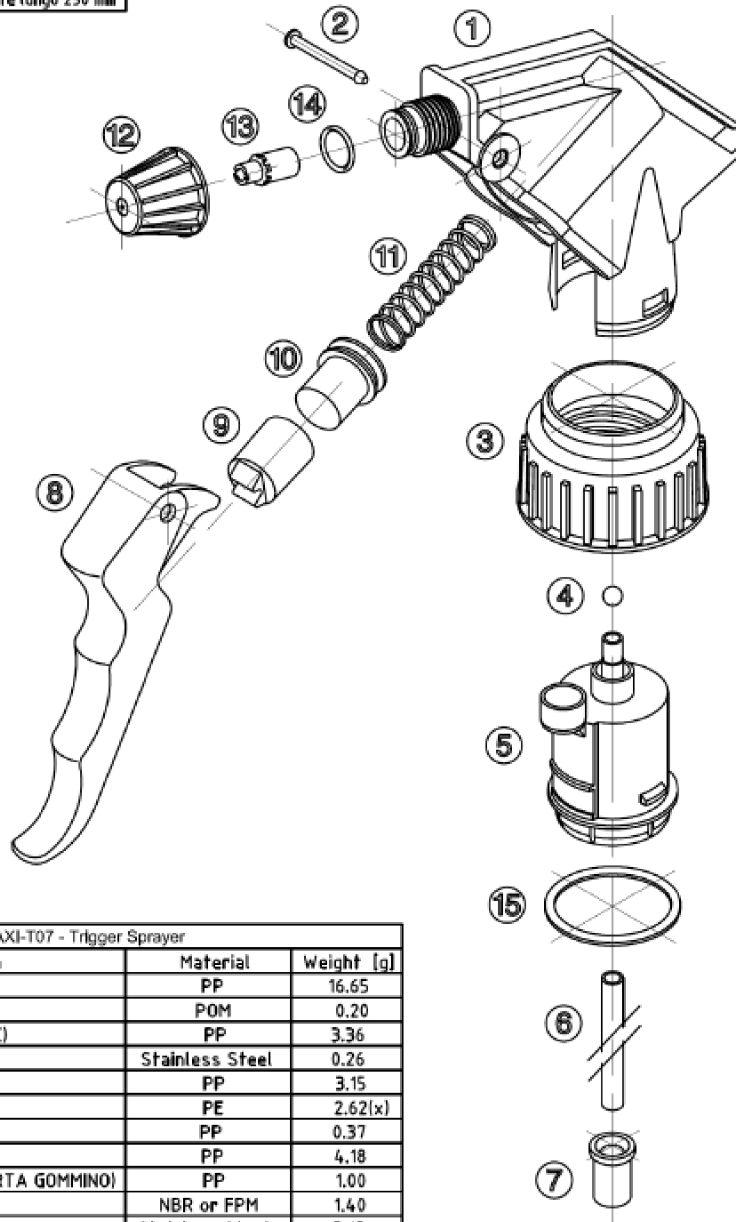


Notes:

(x) This weight refers to a dip tube 250 mm length
Questo peso si riferisce ad un pescante lungo 250 mm



| MAXI-T07 - Trigger Sprayer | | | |
|----------------------------|-------------------------------|-----------------|------------|
| Pos. | Description | Material | Weight [g] |
| 1 | BODY (CORPO) | PP | 16.65 |
| 2 | RIVET (RIVETTO) | POM | 0.20 |
| 3 | CAP (GHIERA FLACONE) | PP | 3.36 |
| 4 | BALL VALVE (SFERA) | Stainless Steel | 0.26 |
| 5 | CONNECTION (CONO) | PP | 3.15 |
| 6 | DIP TUBE (CANNA) | PE | 2.62(x) |
| 7 | FILTER (FILTRO) | PP | 0.37 |
| 8 | TRIGGER (LEVA) | PP | 4.18 |
| 9 | WASHER HOLDER (PORTA GOMMINO) | PP | 1.00 |
| 10 | WASHER (GOMMINO) | NBR or FPM | 1.40 |
| 11 | SPRING (MOLLA) | Stainless Steel | 3.15 |
| 12 | NOZZLE (GHIERA SPRUZZO) | PP | 1.42 |
| 13 | SPINNER VALVE (ROMPIGETTO) | POM | 0.30 |
| 14 | O-RING (GUARNIZIONE) | NBR or FPM | 0.10 |
| 15 | GASKET (GUARNIZIONE) | PE/EPE | 0.12 |

pipeline Packaging 30310 Emerald Valley Pkwy
Glenwillow, OH 44139

PPC ITEM NUMBER: 73124 SKU: 05-16-074-00104

DRAWN BY: - CHECKED BY: - DATE: 2/19/2019

DESCRIPTION: 28-400 Sprayer PP Closure COLOR: -

PART MATERIAL: - VOLUME: - WEIGHT: -

DWG NO.: - DWG SIZE: A SHEET NO: 1 of 1 REV: -

PROPRIETARY AND CONFIDENTIAL

THE INFORMATION CONTAINED IN THIS DRAWING IS THE SOLE PROPERTY OF PIPELINE PACKAGING. ANY REPRODUCTION IN PART OR AS A WHOLE WITHOUT THE WRITTEN PERMISSION OF PIPELINE PACKAGING IS PROHIBITED.

UNLESS OTHERWISE SPECIFIED:

UNITS OF MEASURE: Inches

TOLERANCES: Specified in drawing