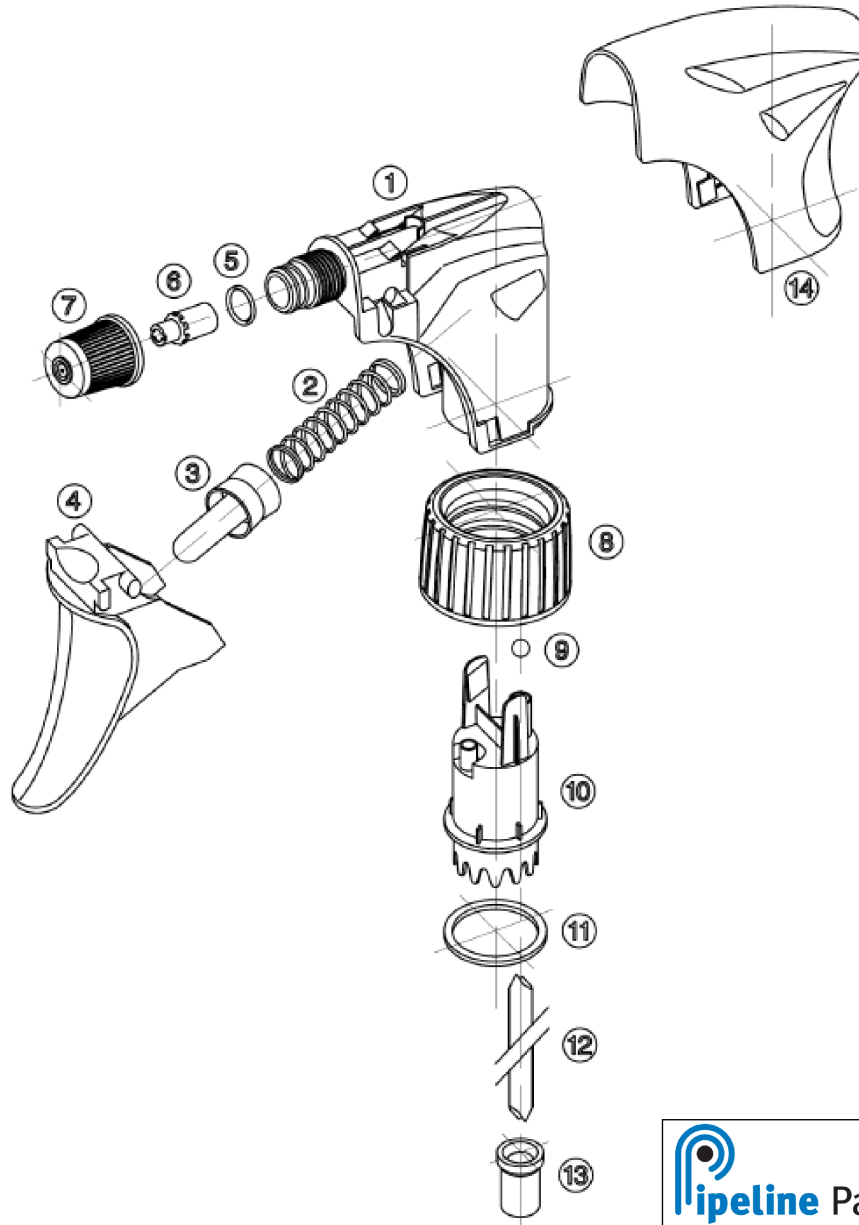


VELA LOCK CAP -Trigger Sprayer

Pos.	Description	Material	Weight [g]
1	BODY (CORPO)	PP	10.08
2	SPRING (MOLLA)	INOX Stainless Steel	1.37
3	PISTON (GOMMINO)	PE	0.81
4	TRIGGER (LEVA)	PP	3.60
5	O-RING (GUARNIZIONE)	NBR	0.08
6	SPINNER VALVE (ROMPIGETTO)	POM (PP)	0.31 (0.21)
7	NOZZLE (GHIERA SPRUZZO)	PP	0.87
8	LOCK CAP (GHIERA FLACONE)	PP	4.25
9	BALL VALVE (SFERA)	INOX Stainless Steel	0.13
10	CONNECTION (CONO)	PP	2.87
11	GASKET	PE/EPE	0.10
12	DIP TUBE (CANNA)	PE	2.62(x)
13	FILTER (FILTRO)	PP	0.37
14	SHROUD (CALOTTA)	PP	6.18



Notes:  
 (x) This weight refers to a dip tube 208 mm length  
 Questo peso si riferisce ad un pescante lungo 208 mm

**Pipeline Packaging** 30310 Emerald Valley Pkwy  
 Glenwillow, OH 44139

PPC ITEM NUMBER: 72185 SKU: 05-16-074-00109

DRAWN BY: - CHECKED BY: - DATE: 2/18/2019

DESCRIPTION: 28-400 Sprayer PP Closure COLOR: -

PART MATERIAL: - VOLUME: - WEIGHT: -

DWG NO.: - DWG SIZE: A SHEET NO: 1 of 1 REV: -

**PROPRIETARY AND CONFIDENTIAL**

THE INFORMATION CONTAINED IN THIS DRAWING IS THE SOLE PROPERTY OF PIPELINE PACKAGING. ANY REPRODUCTION IN PART OR AS A WHOLE WITHOUT THE WRITTEN PERMISSION OF PIPELINE PACKAGING IS PROHIBITED.

**UNLESS OTHERWISE SPECIFIED:**

UNITS OF MEASURE: Inches  
 TOLERANCES: Specified in drawing