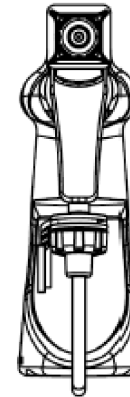
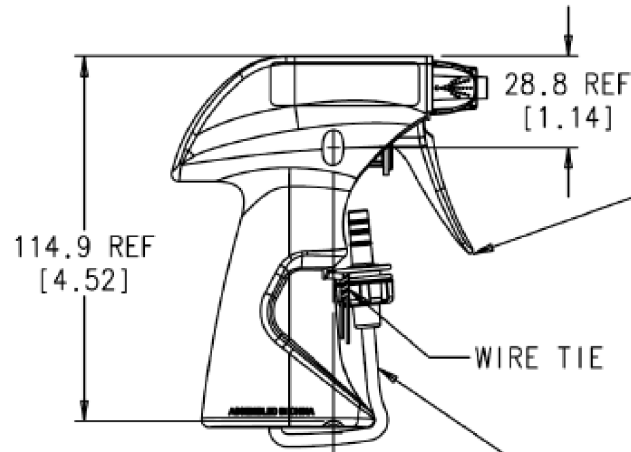


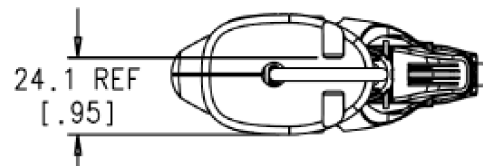
**SPRAYER ASSEMBLY**

- 1.3 OR 1.6 CC  
OUTPUT PER STROKE
- BALL VALVE (CELCON)
- SPRING (SS)
- VALVE BODY (PP)
- PISTON (HDPE)
- SHELLS (PP)
- TRIGGER (PP)
- NOZZLE -3B (HDPE)
- SPIN MECHANICS (PPCO)



**TUBE ASSEMBLY**

- TUBING 1M (PVC)
- CONNECTOR (PP)
- RETAINER (PP)



**NOTES:**

1. DUAL DIMENSION FORMAT: MILLIMETERS[INCHES].
2. DIMENSIONS SHOWN ARE FOR REFERENCE ONLY FROM CAD DATA AND MAY NOT REFLECT CURRENT MANUFACTURING DIMENSIONS AND TOLERANCES.
3. DRAWING IS PROVIDED FOR REFERENCE ONLY AND MAY CHANGE WITHOUT NOTIFICATION.



30310 Emerald Valley Pkwy  
Glenwillow, OH 44139

PPC ITEM NUMBER: 73220		SKU: 05-16-074-00122
DRAWN BY: -	CHECKED BY: -	DATE: 2/19/2019

DESCRIPTION: 38mm Sprayer PP Closure		COLOR: -	
PART MATERIAL: -	VOLUME: -	WEIGHT: -	
DWG NO.: -	DWG SIZE: A	SHEET NO: 1 of 1	REV: -

**PROPRIETARY AND CONFIDENTIAL**

THE INFORMATION CONTAINED IN THIS DRAWING IS THE SOLE PROPERTY OF PIPELINE PACKAGING. ANY REPRODUCTION IN PART OR AS A WHOLE WITHOUT THE WRITTEN PERMISSION OF PIPELINE PACKAGING IS PROHIBITED.

**UNLESS OTHERWISE SPECIFIED:**

UNITS OF MEASURE: Inches

TOLERANCES: Specified in drawing