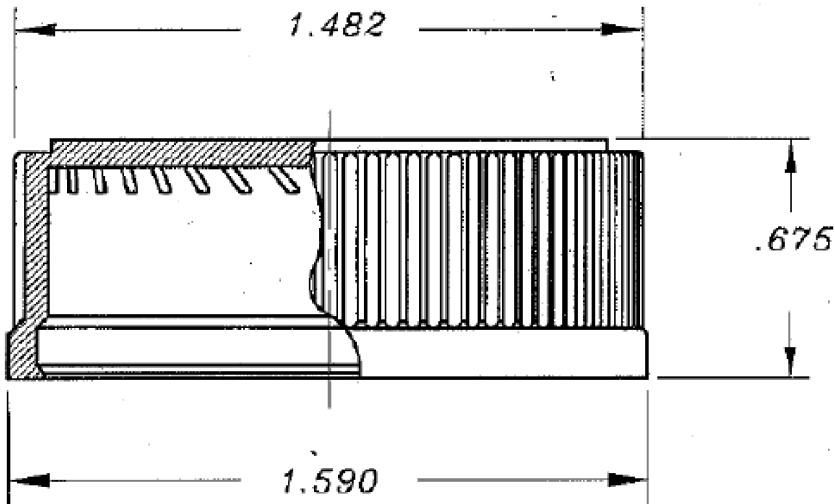
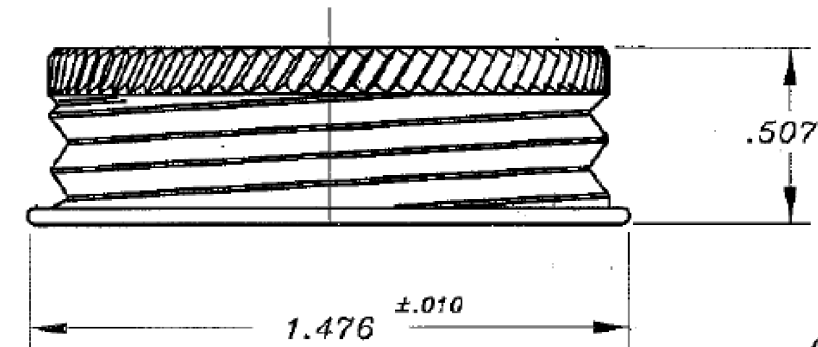
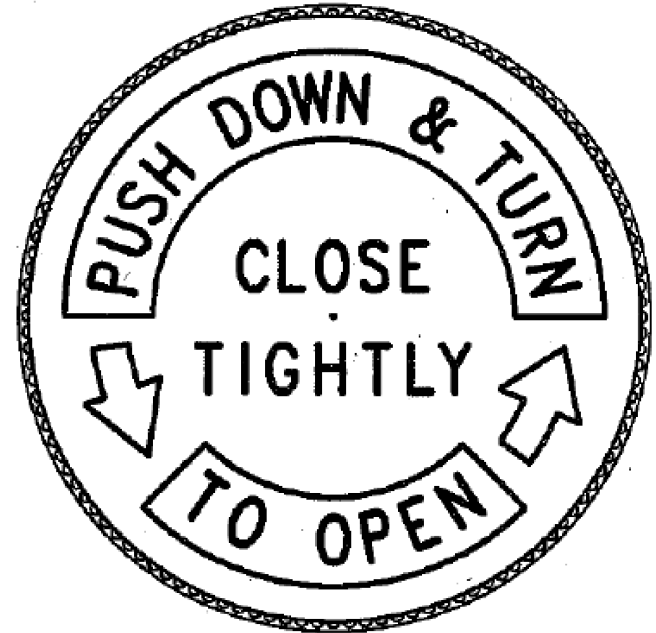


TOLERANCE: ±.015"

(Unless Specified)



**PLASTIC
OVERCAP**



**METAL
INNERCAP**

(7) Threads per Inch

pipeline Packaging 30310 Emerald Valley Pkwy
Glenwillow, OH 44139

PPC ITEM NUMBER: 70059 SKU: 05-22-023-00068
DRAWN BY: CHECKED BY: DATE: 2/13/2019

DESCRIPTION: 1 1/4" Alpha Child Resistant Closure COLOR: -

PART MATERIAL: VOLUME: WEIGHT: -

DWG NO.: DWG SIZE: A SHEET NO: 1 of 1 REV: -

PROPRIETARY AND CONFIDENTIAL

THE INFORMATION CONTAINED IN THIS DRAWING IS THE SOLE PROPERTY OF PIPELINE PACKAGING. ANY REPRODUCTION IN PART OR AS A WHOLE WITHOUT THE WRITTEN PERMISSION OF PIPELINE PACKAGING IS PROHIBITED.

UNLESS OTHERWISE SPECIFIED:

UNITS OF MEASURE: Inches

TOLERANCES: Specified in drawing