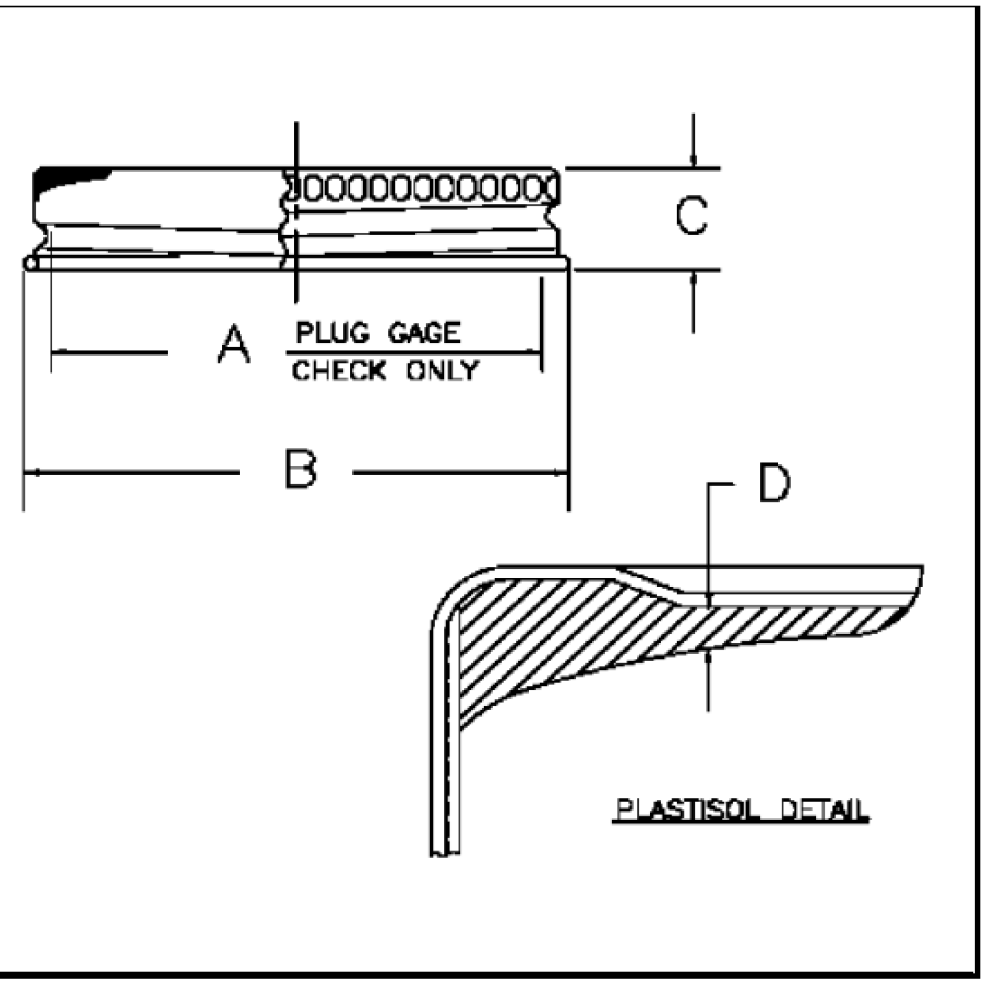



Glass Finish: GPI 450	
A (Plug Dia.)	2.654/2.679"
B (Outside Dia.)	2.883/2.937"
C (Overall Height)	.602/.631"
D (Compound Thickness)	.030/.055"
Pull Down Max	10 in. Hg
Release Min	2 in. Hg
Materials	
Electrolytic tin plate or Tin free steel	
• Minimum Nominal Thickness: .00605"	
Interior Coating	
• Food grade interior coating system specified according to product requirement. (FDA compliant)	
Exterior Coating	
• White, clear or gold base coat with over varnish as required	
• Printing decoration according to customer specification.	
Compound	
• Food grade plastisol according to thermal process (pasteurisation, hot fill and cool, dry seal, retort) and product type (oily and non-oily). (FDA compliant)	



		30310 Emerald Valley Pkwy Glenwillow, OH 44139	
		PPC ITEM NUMBER: 72567	SKU: 05-22-019-00044
DRAWN BY: -	CHECKED BY: -	DATE: 2/18/2019	
DESCRIPTION: 70G-450 Cont. Thread Closure		COLOR: -	
PART MATERIAL: -	VOLUME: -	WEIGHT: -	
DWG NO.: -	DWG SIZE: A	SHEET NO: 1 of 1	REV: -

PROPRIETARY AND CONFIDENTIAL THE INFORMATION CONTAINED IN THIS DRAWING IS THE SOLE PROPERTY OF PIPELINE PACKAGING. ANY REPRODUCTION IN PART OR AS A WHOLE WITHOUT THE WRITTEN PERMISSION OF PIPELINE PACKAGING IS PROHIBITED.	UNLESS OTHERWISE SPECIFIED:
	UNITS OF MEASURE: Inches
	TOLERANCES: Specified in drawing