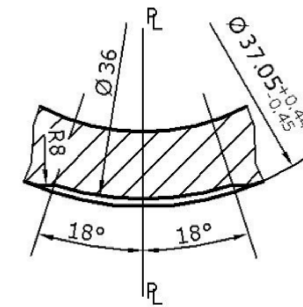
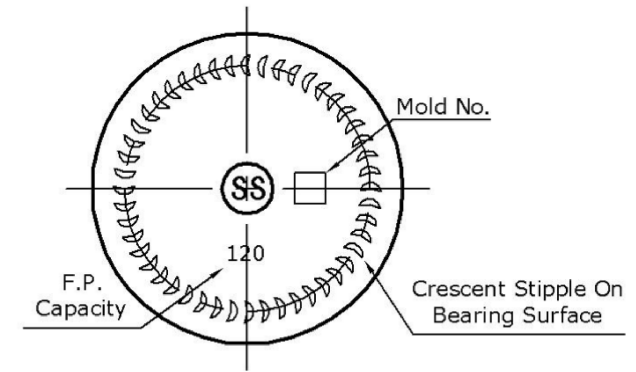


FINISH DETAIL
 GPI 38mm-400
 S / 2:1



Thread's Detail on Parting Line (S=3:1)

Pipeline Packaging 30310 Emerald Valley Pkwy
 Glenwillow, OH 44139

PPC ITEM NUMBER: 61041 SKU: 08-04-053-00033
 DRAWN BY: - CHECKED BY: - DATE: 9/17/2019

DESCRIPTION: 120cc Amber Wide Mouth Packer COLOR: Amber

PART MATERIAL: Glass VOLUME: 135 ± 3.6 ml WEIGHT: 110 ± 8.5 g

DWG NO.: - DWG SIZE: A SHEET NO: 1 of 1 REV: -

PROPRIETARY AND CONFIDENTIAL

THE INFORMATION CONTAINED IN THIS DRAWING IS THE SOLE PROPERTY OF PIPELINE PACKAGING. ANY REPRODUCTION IN PART OR AS A WHOLE WITHOUT THE WRITTEN PERMISSION OF PIPELINE PACKAGING IS PROHIBITED.

UNLESS OTHERWISE SPECIFIED:

UNITS OF MEASURE: Inches

TOLERANCES: Specified in drawing