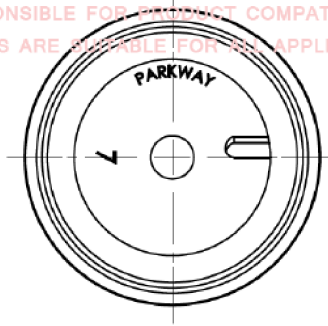
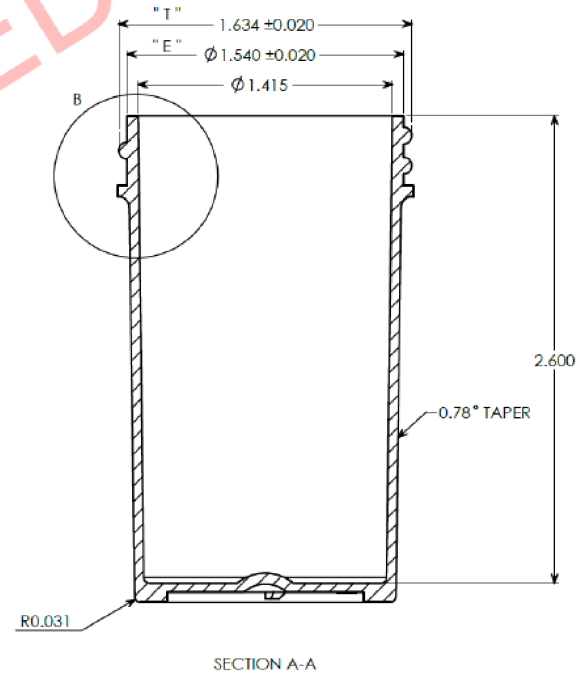
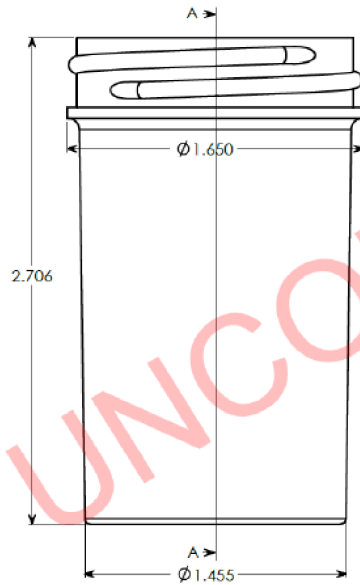
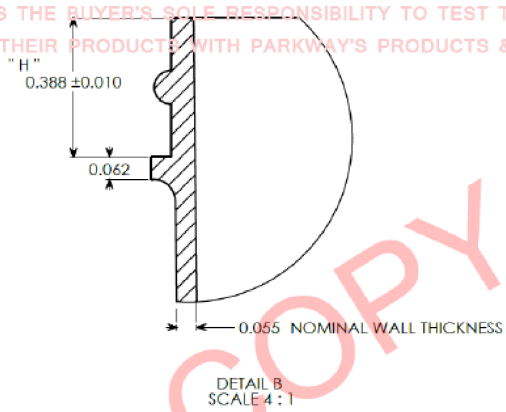


PPI IS NOT RESPONSIBLE FOR PRODUCT COMPATABILITY.
 NOT ALL MATERIALS ARE SUITABLE FOR ALL APPLICATIONS.



IT IS THE BUYER'S SOLE RESPONSIBILITY TO TEST THE COMPATIBILITY
 OF THEIR PRODUCTS WITH PARKWAY'S PRODUCTS & SERVICES.



UNCONTROLLED COPY

pipeline Packaging 30310 Emerald Valley Pkwy
 Glenwillow, OH 44139

PPC ITEM NUMBER: 67579 SKU: 08-16-085-00060
 DRAWN BY: - CHECKED BY: - DATE: 2/12/2019

DESCRIPTION: 2 oz Wide Mouth PP Jar COLOR: -
 PART MATERIAL: - VOLUME: - WEIGHT: -
 DWG NO.: - DWG SIZE: A SHEET NO: 1 of 1 REV: -

PROPRIETARY AND CONFIDENTIAL
 THE INFORMATION CONTAINED IN THIS DRAWING IS THE SOLE
 PROPERTY OF PIPELINE PACKAGING. ANY REPRODUCTION IN
 PART OR AS A WHOLE WITHOUT THE WRITTEN PERMISSION OF
 PIPELINE PACKAGING IS PROHIBITED.

UNLESS OTHERWISE SPECIFIED:
 UNITS OF MEASURE: Inches
 TOLERANCES: Specified in drawing