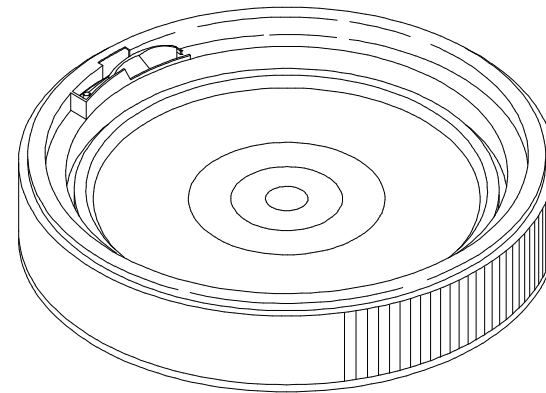


**General Specifications for cover:**

**Material:** High Density Polyethylene (HDPE)  
**Method of Mfg:** Injection Molding  
**Weight:** .166lbs. / 75g  
**Cover Height:** 1.37"  
**Min. Wall Thickness:** .046" (46 mil)  
**Bottom OD:** 7.03"  
**Gasket:** Neoprene / available without gasket  
**Case Qty:** 180 per case / 1440 per pallet  
**Standard Color:** White, Red 186, Blue 300  
Please inquire about custom colors



**DISCLAIMER**

THIS INFORMATION IS PROVIDED AS A GENERAL GUIDE, INCLUDING DIMENSIONS. IT IS THE CUSTOMER'S RESPONSIBILITIES TO SELECT THE PROPER CONTAINER FOR PRODUCT AND APPLICATION COMPATIBILITY.

DISTRIBUTED BY:



REF NO.:

DWG30281

DESCRIPTION:

.6 Gallon HDPE Screw Top Cover for Life Latch New Generation