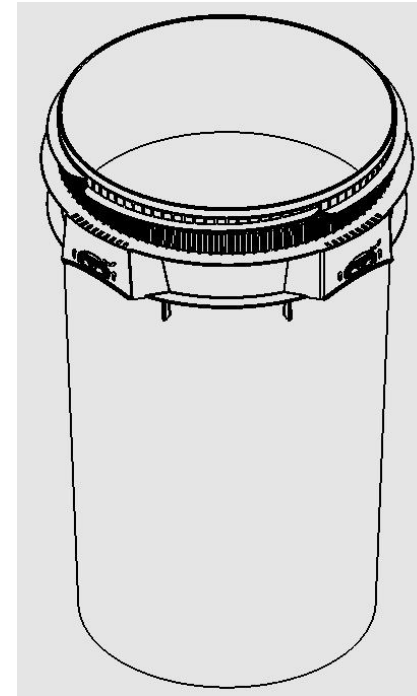


Pail Specification

| | |
|-------------------------|---|
| Origin of Materials | 100% US Manufactured |
| Material | High Density Polyethylene (HDPE) |
| Mfg. Method | Injection Molding |
| Weight | 4.8lbs /2180g |
| Min. Wall Thickness | 0.12" |
| Exterior Height | 20 3/4" With Cover 20 7/8" |
| Top Inside Diameter | 13 3/8" |
| Bottom Outside Diameter | 12 1/4" |
| Standard Color | White Please inquire about custom colors |
| Print Area | 10 1/2" x 33" |
| Heat Transfer Area | 11 3/8" x 31" |
| Shipping Quantity | 54 Units per Pallet 2160 Units per Truckload |
| Top Load Rating | 450 lbs. |



UN Certification: 1H2/Y48/S

DISCLAIMER

THIS INFORMATION IS PROVIDED AS A GENERAL GUIDE, INCLUDING DIMENSIONS. IT IS THE CUSTOMER'S RESPONSIBILITIES TO SELECT THE PROPER CONTAINER FOR PRODUCT AND APPLICATION COMPATIBILITY.

DISTRIBUTED BY:



REF NO.:

DWG30299

DESCRIPTION:

10.7 Gallon HDPE Life Latch Pail