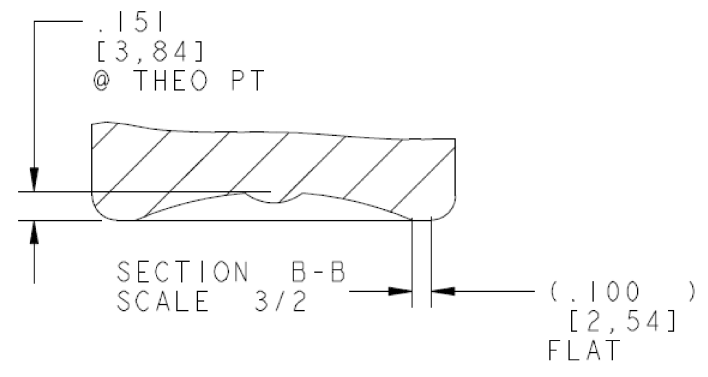
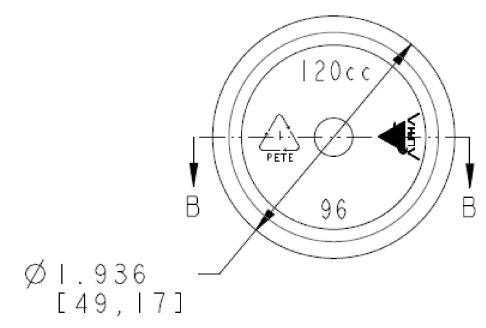
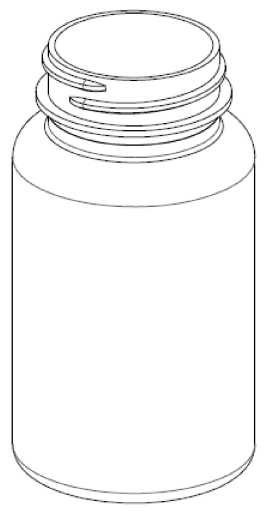
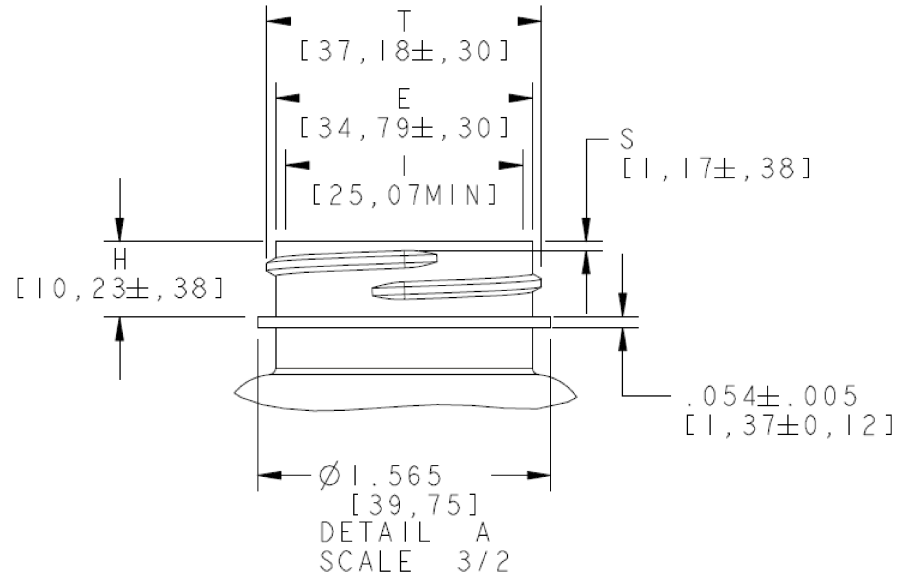
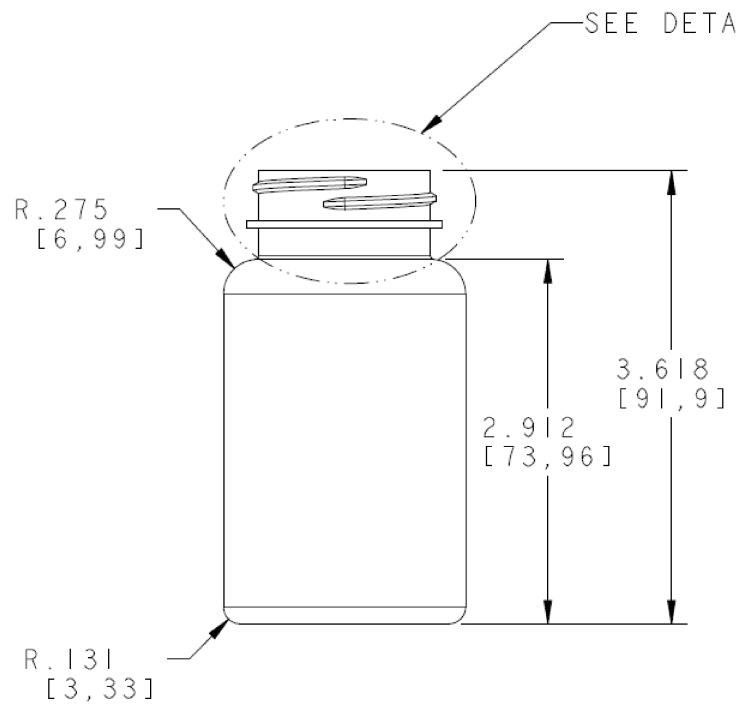


Neck Finish	T	E	I MIN.	H	S	T.P.I.
38-400	1.464 ± .012	1.370 ± .012	.987	.403 ± .015	.046 ± .015	6



- NOTES
1. WEIGHT - 24 ± 3 grams
 2. OVERFLOW CAPACITY - 142 ± 5 ml
 3. MINIMUM WALL THICKNESS - .010"

DISCLAIMER	DISTRIBUTED BY:	REF NO.:
	DESCRIPTION:	DWG10357
THIS INFORMATION IS PROVIDED AS A GENERAL GUIDE, INCLUDING DIMENSIONS. IT IS THE CUSTOMER'S RESPONSIBILITIES TO SELECT THE PROPER CONTAINER FOR PRODUCT AND APPLICATION COMPATIBILITY.	120 cc PET Round Packer, 38-400	