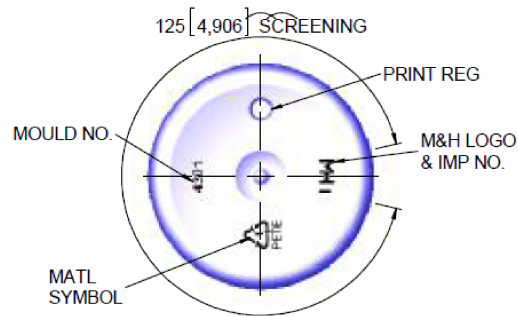


M24SP410 NECK FINISH
 RH SINGLE START 3,175 [0,125] PITCH
 1,5 TURNS OF THREAD
 HELIX ANGLE 2,34°
 MIN THRO' BORE Ø16 [0,63]



CLOSURE REF:
 MWV SONATA DISPENSER
 DRG NO. 19CSD09800
 -PLATFORM SEAL (2)

NOT A STANDARD M&H BRIMFUL CAPACITY

CLOSURE NOT ORIENTATED

DISCLAIMER

THIS INFORMATION IS PROVIDED AS A GENERAL GUIDE, INCLUDING DIMENSIONS. IT IS THE CUSTOMER'S RESPONSIBILITIES TO SELECT THE PROPER CONTAINER FOR PRODUCT AND APPLICATION COMPATIBILITY.

DISTRIBUTED BY:



REF NO.:

DWG10272

DESCRIPTION:

125 mL PET Cylinder, 24-SP410