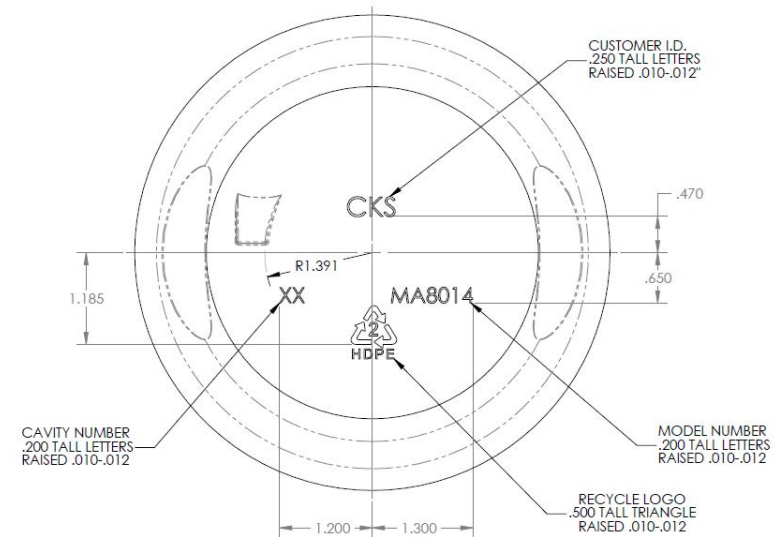


THREAD NOTES:
 1. "M" STYLE THREAD
 2. .167 PITCH (6 T.P.I.)
 3. 1-1/2 TURNS OF FULL THREAD
 4. THREAD START 90° TO P/L IN PIN HALF

Notes:

1. Tolerances Unless Specified:
 Vertical -- ±.080
 Horizontal -- ±.090
 Volumetric -- ±1.5 fl. oz.
2. Samples to be checked Aged w/ 20 ° C water
3. Estimated Bulge - NONE



DISCLAIMER

THIS INFORMATION IS PROVIDED AS A GENERAL GUIDE, INCLUDING DIMENSIONS. IT IS THE CUSTOMER'S RESPONSIBILITIES TO SELECT THE PROPER CONTAINER FOR PRODUCT AND APPLICATION COMPATIBILITY.

DISTRIBUTED BY:



REF NO.:

DESCRIPTION: