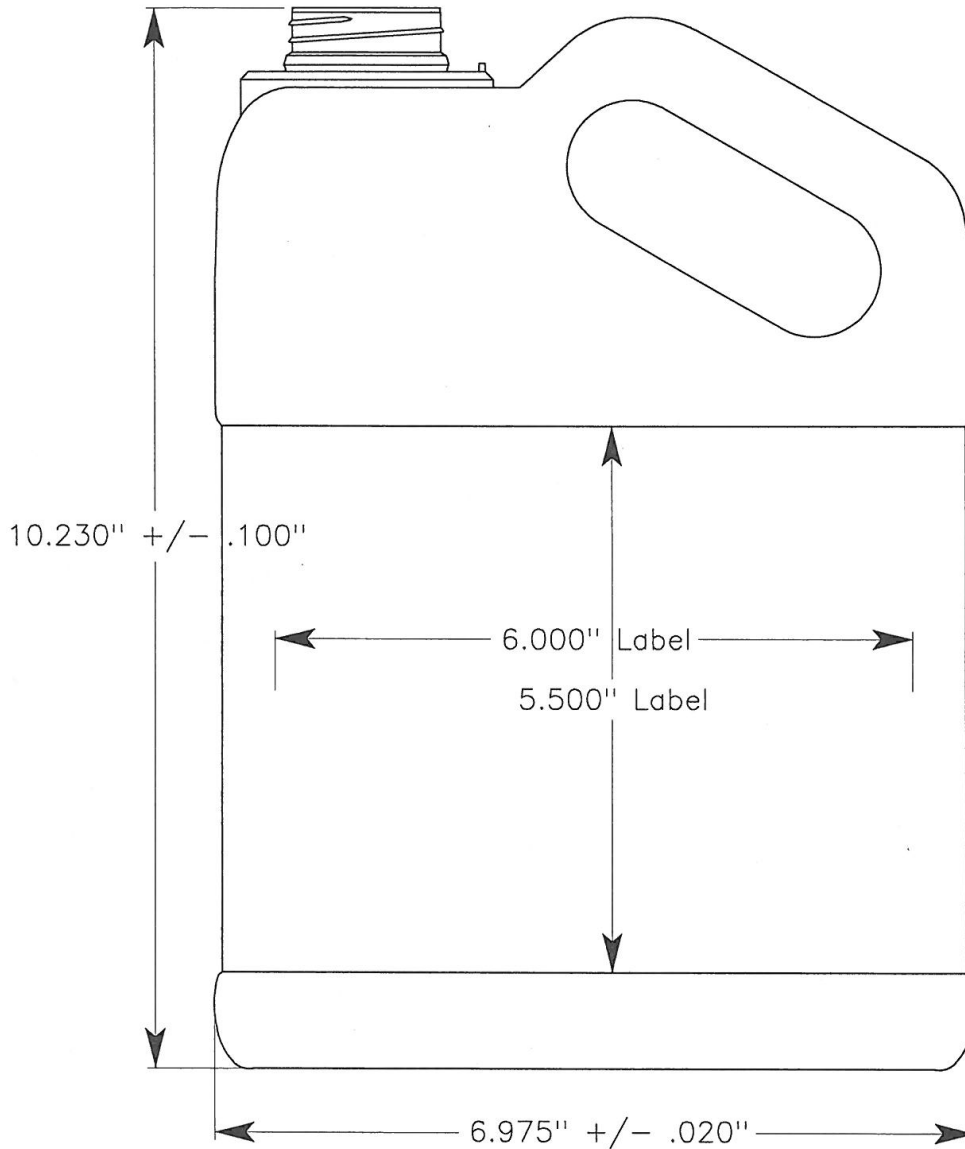


# 1 Gallon F-Style Slant Handle Container



Width 4.750" +/- .020"  
 Overflow 140 oz. +/- 1 oz.

Do Not Scale Drawing

DISTRIBUTED BY:



REF NO.:

DWG30309

DESCRIPTION:

128 oz HDPE Slant Handle F-Style, 38-400, 140 gram

**DISCLAIMER**

THIS INFORMATION IS PROVIDED AS A GENERAL GUIDE, INCLUDING DIMENSIONS. IT IS THE CUSTOMER'S RESPONSIBILITIES TO SELECT THE PROPER CONTAINER FOR PRODUCT AND APPLICATION COMPATIBILITY.