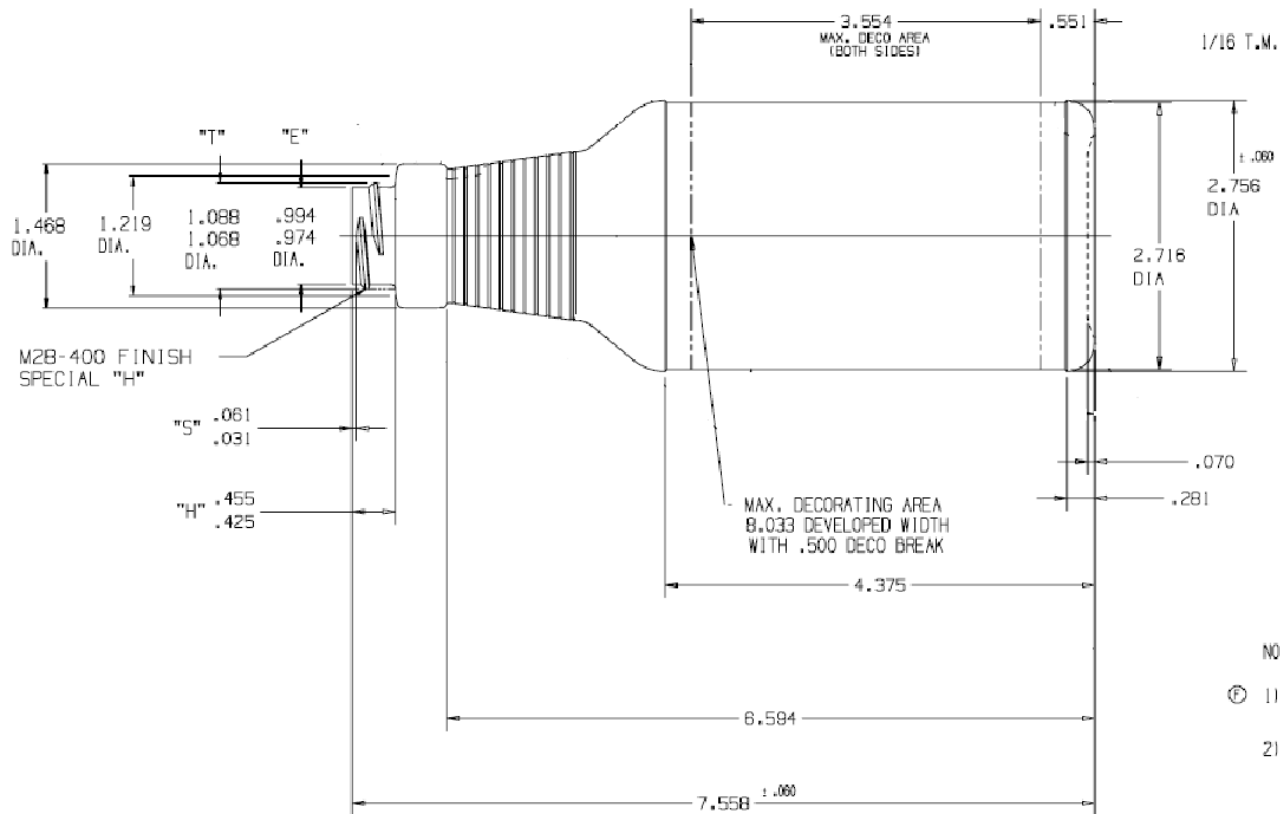
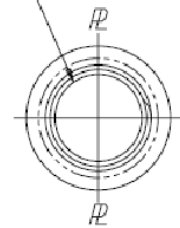


.712 MIN. I.D.
.050 MIN. LAND

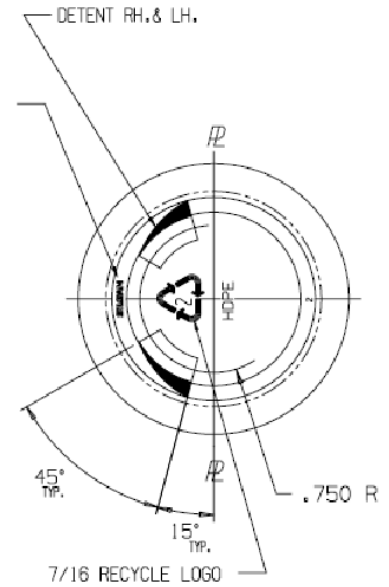


M2B-400 FINISH
SPECIAL "H"

"S" .061
.031

"H" .455
.425

MAX. DECORATING AREA
8.033 DEVELOPED WIDTH
WITH .500 DECO BREAK



NOTES:

- ① OVERFLOW CAPACITY : 16.91 ± .37 FL. OZ.
(500.0 ± 11.0 CC'S)
- ② WEIGHT: 28.0 ± 1.5 GRAMS

DISCLAIMER

THIS INFORMATION IS PROVIDED AS A GENERAL GUIDE, INCLUDING DIMENSIONS. IT IS THE CUSTOMER'S RESPONSIBILITIES TO SELECT THE PROPER CONTAINER FOR PRODUCT AND APPLICATION COMPATIBILITY.

DISTRIBUTED BY:



REF NO.:

DWG30322

DESCRIPTION:

16 oz HDPE Modern Carafe, 28-400, 28 gram