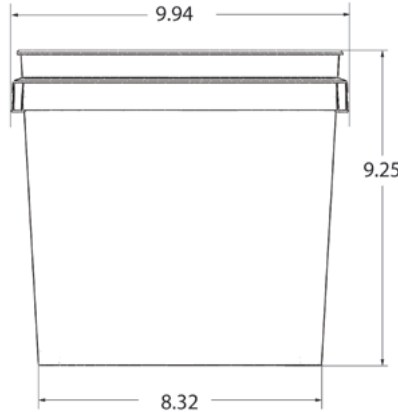


# 2 Gallon Round Container

## Features

- Reinforcing ribs to maintain container shape
- Tapered design allows for container nesting
- Hot fill capability up to 190°F with appropriate materials and freezer compatible
- Heat transfer decoration and 6 color offset print capability
- Accepts plastic or metal handles



**PRODUCT CODE**.....2S (TH2G65)

**COMPATIBLE LID**..... 2LSTT (LH2GGTS)

### SPECIFICATIONS

Height.....9.25"  
 Outer Diameter.....9.94"  
 Thickness.....65mil  
 Print Area......26" x 5.5"  
 Resin.....HDPE

### VOLUME

Practical Fill.....2.0 gal. / 7.57 liters  
 Overflow.....2.3 gal. / 8.70 liters

### PACKAGING

Pack Count.....360  
 Pack Dimensions..... 51.64" x 40.82" x 39.16"  
 Cubic Feet.....47.7  
 Packs per Pallet.....2

### ORDER QUANTITIES (53' Truckload)

2S & 2LSTT..... 14,400 bases & lids

#### DISCLAIMER

THIS INFORMATION IS PROVIDED AS A GENERAL GUIDE, INCLUDING DIMENSIONS. IT IS THE CUSTOMER'S RESPONSIBILITIES TO SELECT THE PROPER CONTAINER FOR PRODUCT AND APPLICATION COMPATIBILITY.

DISTRIBUTED BY:



REF NO.:

DWG30271

DESCRIPTION:

2 Gallon Black HDPE Open Head Pail, w/ Metal Handle