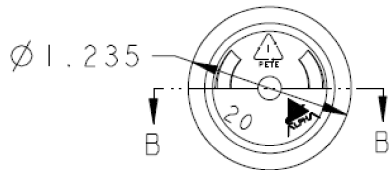
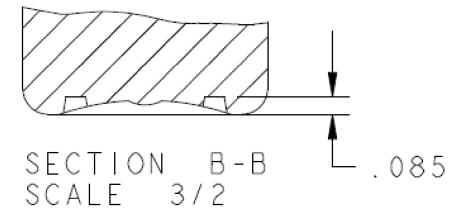
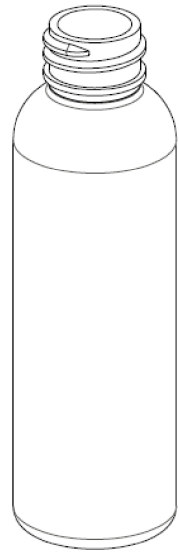
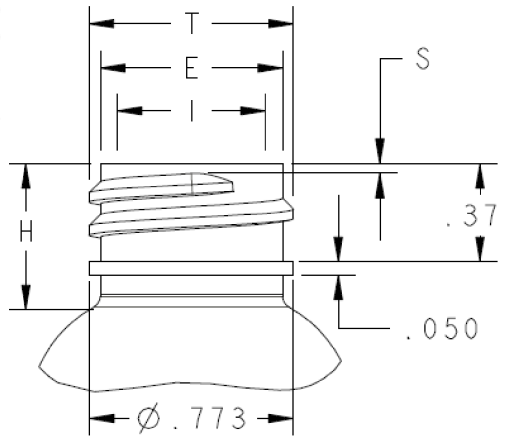
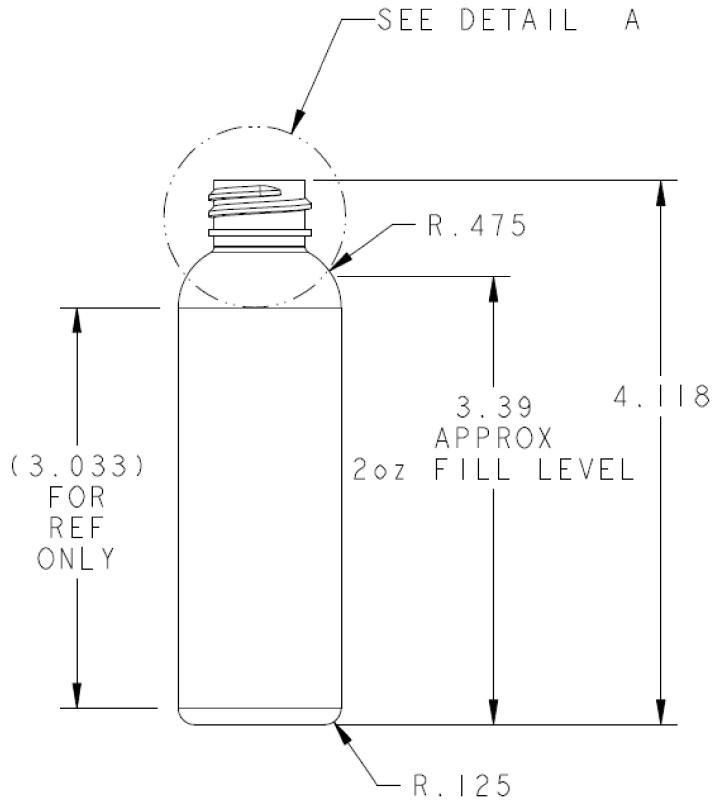


Neck Dimensions:

T = .775 ± .008  
 E = .691 ± .008  
 H = .554 ± .015  
 I = .404 MIN  
 S = .037 ± .015



NOTE:  
 CLOSURES WITH MORE THAN 1 1/2 TURNS OF THREAD MAY INTERFERE WITH BEAD, WHICH ALSO MAY RESULT IN AN IMPROPER SEAL AT LAND AREA.

NOTES

1. WEIGHT - 9.5 ± 1 gram
2. OVERFLOW CAPACITY - 84.5 ± 3.5 ml
3. MINIMUM WALL THICKNESS - .008"

**DISCLAIMER**

THIS INFORMATION IS PROVIDED AS A GENERAL GUIDE, INCLUDING DIMENSIONS. IT IS THE CUSTOMER'S RESPONSIBILITIES TO SELECT THE PROPER CONTAINER FOR PRODUCT AND APPLICATION COMPATIBILITY.

DISTRIBUTED BY:



REF NO.:

DWG10366

DESCRIPTION:

2 oz PET Cosmo Round, 20-410