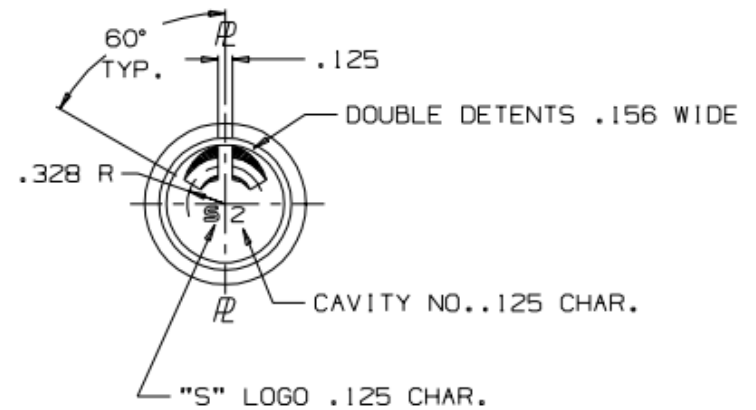
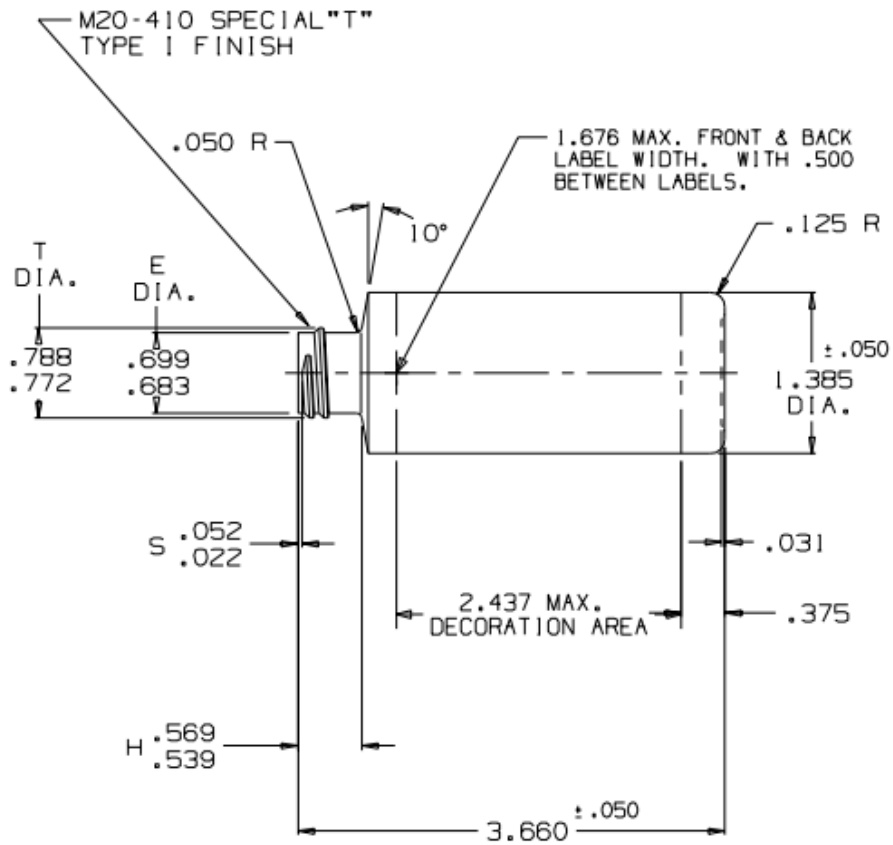
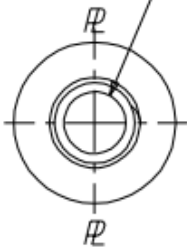


.500 MIN. I.D.
.040 MIN. LAND



NOTES :

- 1) OVERFLOW CAPACITY : 2.35 ± .12 FL.OZ.
69.4 ± 3.5 CC'S.1
- 2) WEIGHT : 8.5 ± .5 GRAMS

DISCLAIMER

THIS INFORMATION IS PROVIDED AS A GENERAL GUIDE, INCLUDING DIMENSIONS. IT IS THE CUSTOMER'S RESPONSIBILITIES TO SELECT THE PROPER CONTAINER FOR PRODUCT AND APPLICATION COMPATIBILITY.

DISTRIBUTED BY:



REF NO.:

DWG30331

DESCRIPTION:

2 oz HDPE Cylinder Styleline, 20-410, 8.5 gram