

GENERAL INFORMATION

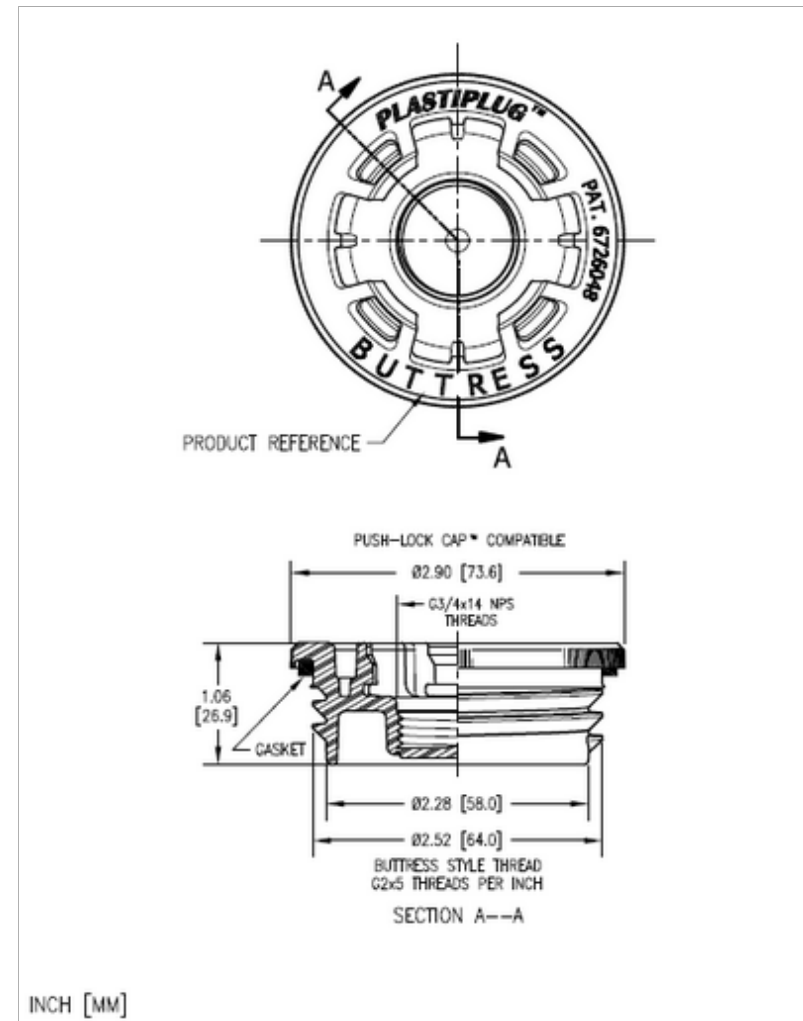
- Product group: Manufactured in compliance with ISO-15750-3(steel) & ISO-20848-3(plastic)
- Type model: 4Nock-type Buttress 5TPI-threaded plugs; This product is Push-Lock™ cap Compatible
- Material: Polypropylene (PP)
- Size: G2 (50mm)
- Surface print / Finish:
- Washer: White EPDM is a multi purpose sealing material with good physical and excellent chemical properties. As a plug washer/gasket it is not recommended for applications involving petroleum derivatives.
- Execution: Standard execution

PACKAGING INFORMATION

- Component weight (grams): 28
- Box quantity (pieces): 400
- Box weight (kg): 11
- Pallet quantity: 7200
- Pallet weight (kg): 215

Material: Polypropylene

Finish:



DISCLAIMER

THIS INFORMATION IS PROVIDED AS A GENERAL GUIDE, INCLUDING DIMENSIONS. IT IS THE CUSTOMER'S RESPONSIBILITIES TO SELECT THE PROPER CONTAINER FOR PRODUCT AND APPLICATION COMPATIBILITY.

DISTRIBUTED BY:



REF NO.:

DWG30448

DESCRIPTION:

2 inch Natural HDPE Screw Cap with .75 in Threaded Reducer