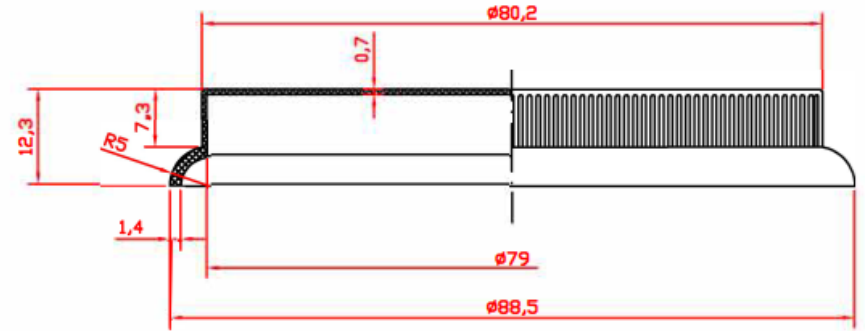
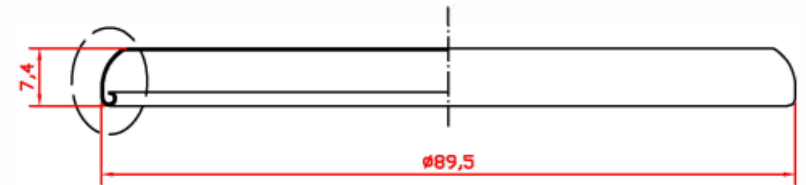
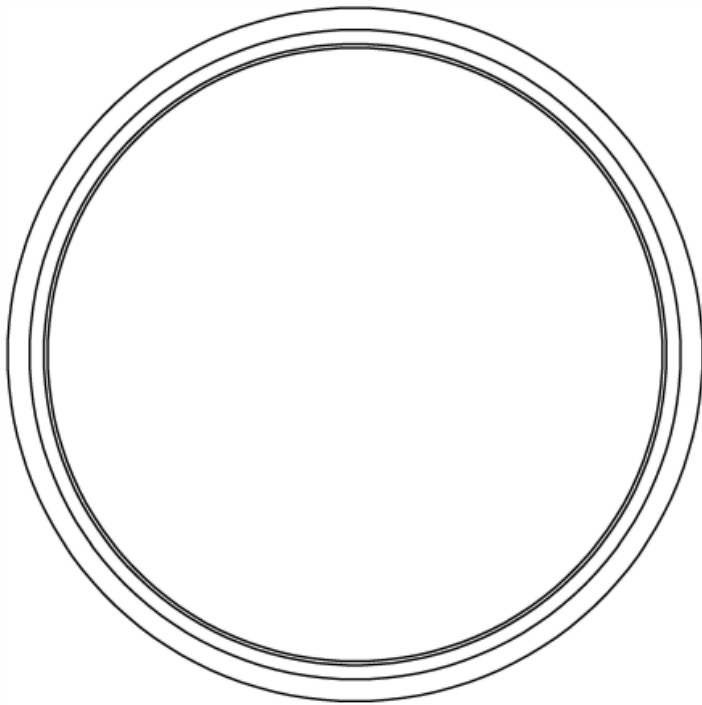


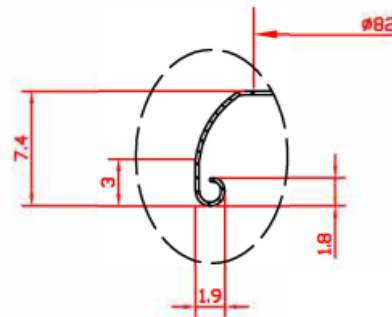
Assembly



Material: LDPE  
Color: White



Material: 1060 Aluminum Alloy  
THK: 0.25mm



scale 2:1

**DISCLAIMER**

THIS INFORMATION IS PROVIDED AS A GENERAL GUIDE, INCLUDING DIMENSIONS. IT IS THE CUSTOMER'S RESPONSIBILITIES TO SELECT THE PROPER CONTAINER FOR PRODUCT AND APPLICATION COMPATIBILITY.

DISTRIBUTED BY:



REF NO.:

DWG 31227

DESCRIPTION:

2" White Plastic Crimp-on Capsel