

FEATURES

Polished surface provides attractive appearance

Hot fill capability up to 180 degrees with appropriate materials, freezer application

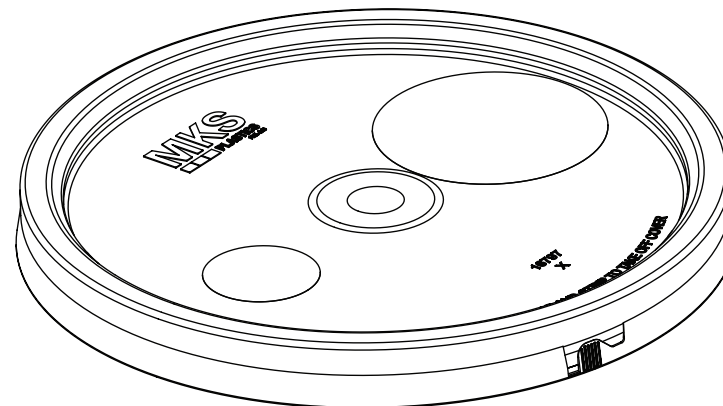
Flexspout

Vent - 3/4" plastic Vent • Tint Plug - 63mm plastic tint plug

EDPM Tubular Rubber Gasket

EAGLE GMP Audit including HACCP principles

Tear Tab Strip included



PACKAGING

Pack Dimensions	37.25" x 50" x 23.5"
Cubic Feet	51.3
Lids per bundle	240
Lids per pallet	1200
Bundles per pallet	5

DIMENSIONS

Height	1.170"
Total Diameter	12.057"
Bottom External Diameter	12.236"
Thickness	90 mil

DISCLAIMER

THIS INFORMATION IS PROVIDED AS A GENERAL GUIDE, INCLUDING DIMENSIONS. IT IS THE CUSTOMER'S RESPONSIBILITIES TO SELECT THE PROPER CONTAINER FOR PRODUCT AND APPLICATION COMPATIBILITY.

DISTRIBUTED BY:



REF NO.:

DWG30355

DESCRIPTION:

20 Liter White HDPE Plastic Pail Lid