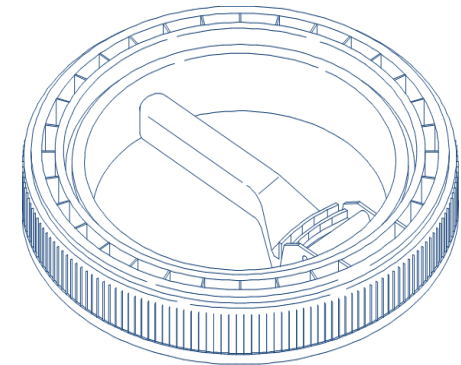


UN Certification: 1H2/Y30/S & 1H2/Y1.5/30 

Cover Specification | Spouted 600238 | Nonspouted 600237

Origin of Materials	100% US Manufactured
Material	High Density Polyethylene (HDPE)
Mfg. Method	Injection Molding
Weight	1.57 lbs / 614g
Height	2"
Min Wall Thickness	.090"
Outside Diameter	Top 12.47" Bottom 13.07"
Fitting	Nonspouted American Flange Plastic 38mm Spout
Standard Color	White, Red 186, Blue 300 <i>Please inquire about custom colors</i>
Case Quantity	20 per case / 240 per pallet



DISCLAIMER

THIS INFORMATION IS PROVIDED AS A GENERAL GUIDE, INCLUDING DIMENSIONS. IT IS THE CUSTOMER'S RESPONSIBILITIES TO SELECT THE PROPER CONTAINER FOR PRODUCT AND APPLICATION COMPATIBILITY.

DISTRIBUTED BY:



REF NO.:

DWG30361

DESCRIPTION:

3.5-6 Gallon HDPE Life Latch Cover with Rieke