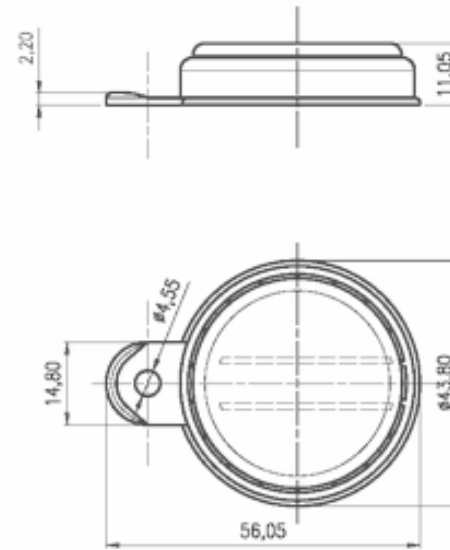


### GENERAL INFORMATION

- Product group: Caps or Seals
- Type model: Suitable to fit on all metal Tab-Seal® cap compatible necks; Full Plastic; No tooling required
- Material: Polyethylene
- Size: G<sup>3</sup>/<sub>4</sub> (20mm) cap
- Surface print / Finish:
- Washer: No washer

### PACKAGING INFORMATION

- Component weight (grams): 5
- Box quantity (pieces): 1000
- Box weight (kg): 5
- Pallet quantity: 36000
- Pallet weight (kg): 235



#### DISCLAIMER

THIS INFORMATION IS PROVIDED AS A GENERAL GUIDE, INCLUDING DIMENSIONS. IT IS THE CUSTOMER'S RESPONSIBILITIES TO SELECT THE PROPER CONTAINER FOR PRODUCT AND APPLICATION COMPATIBILITY.

DISTRIBUTED BY:



REF NO.:

DWG30370

DESCRIPTION:

3/4" White LDPE Trisure Sealing Cap