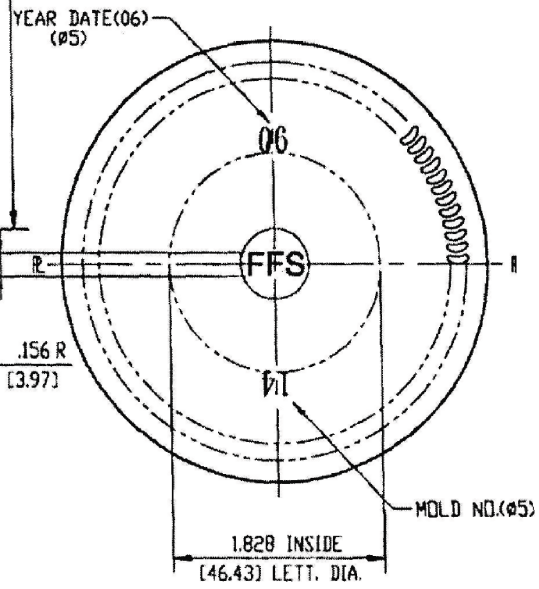
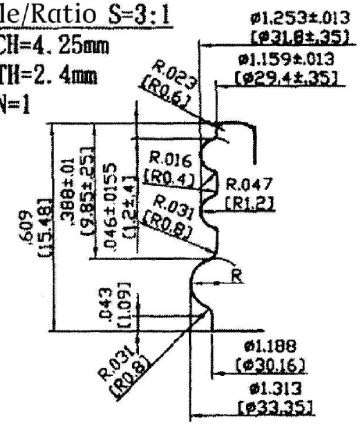


Scale/Ratio S=3:1  
 PITCH=4.25mm  
 WIDTH=2.4mm  
 TURN=1



- NOTES
1. WEIGHT - 435 ± 17.7 grams
  2. OVERFLOW CAPACITY - 33 ± 0.375 oz

<b>DISCLAIMER</b> THIS INFORMATION IS PROVIDED AS A GENERAL GUIDE, INCLUDING DIMENSIONS. IT IS THE CUSTOMER'S RESPONSIBILITIES TO SELECT THE PROPER CONTAINER FOR PRODUCT AND APPLICATION COMPATIBILITY.	DISTRIBUTED BY:  Pipeline Packaging	REF NO.: DWG10363
	DESCRIPTION: 32 oz Glass Boston Round, 33-400	