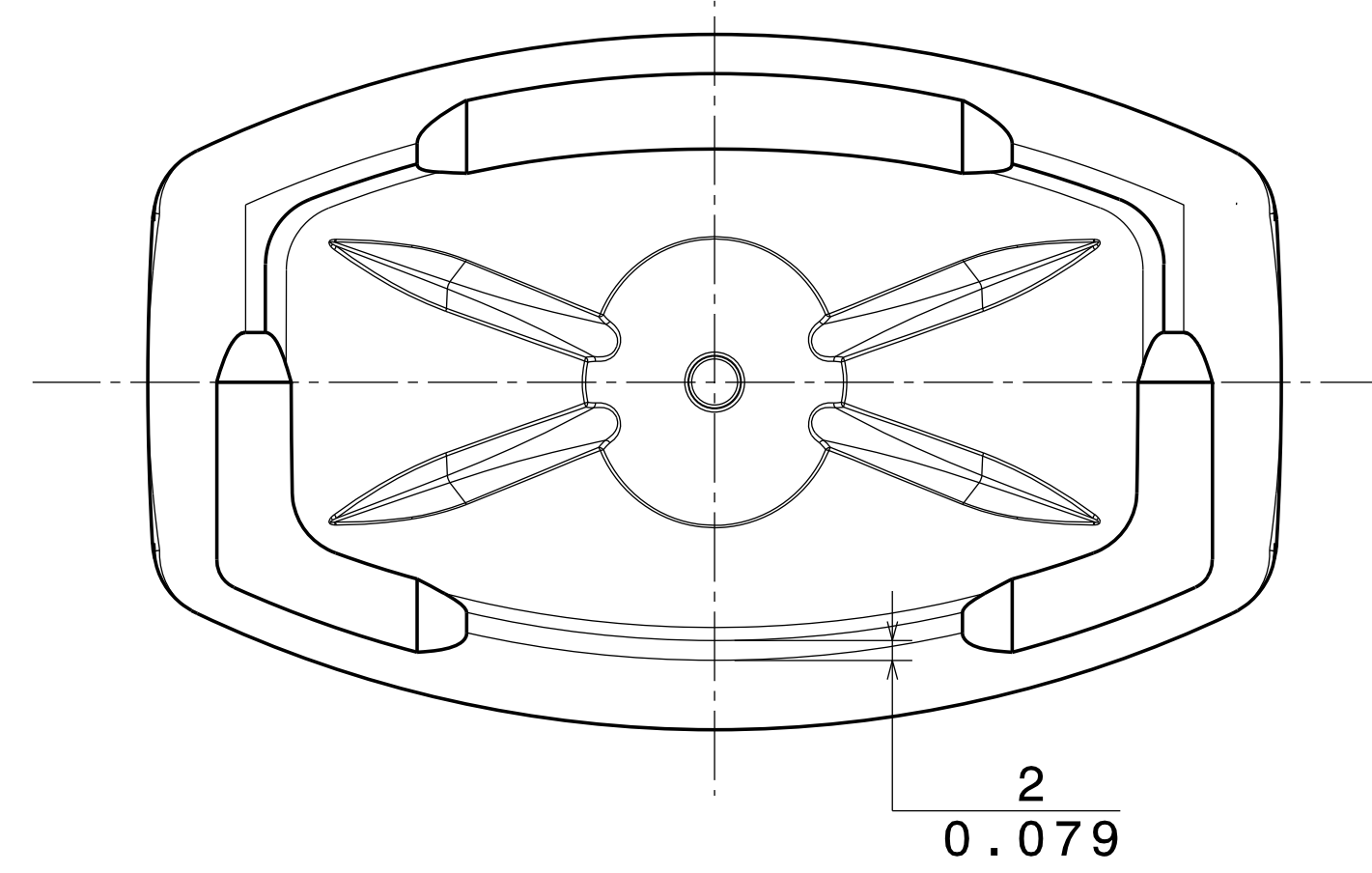
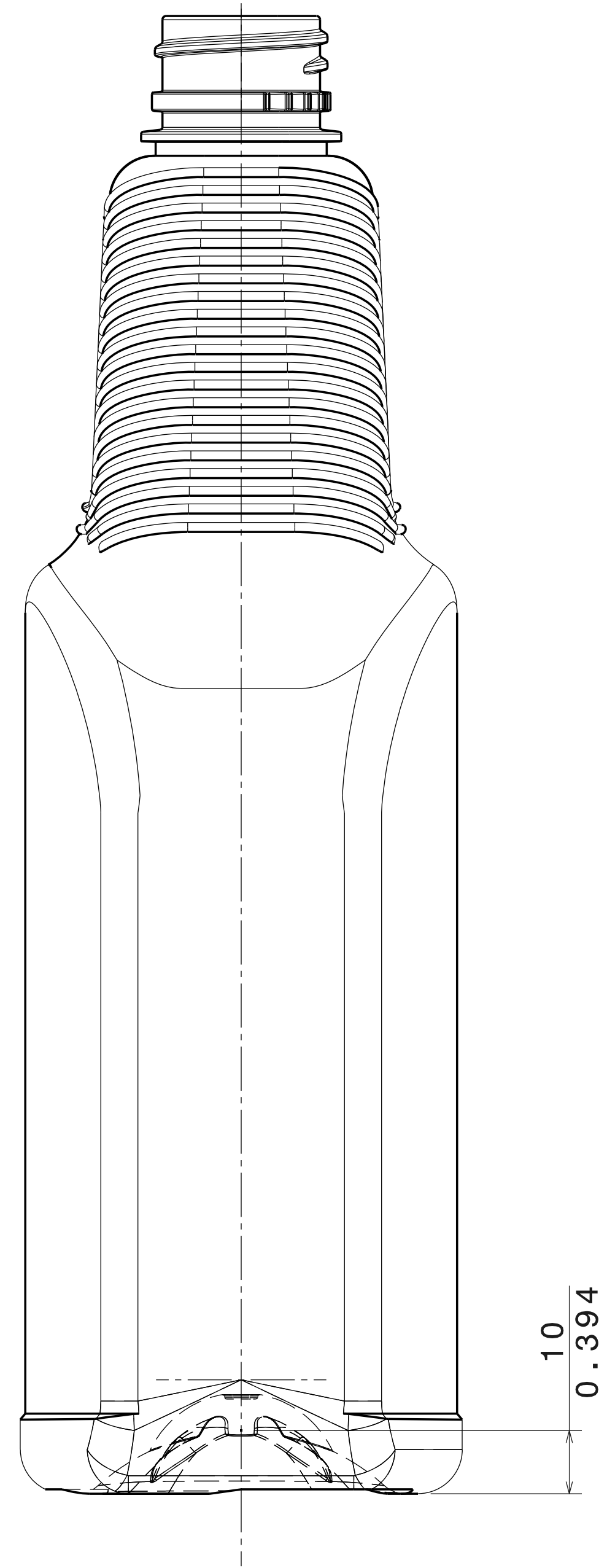


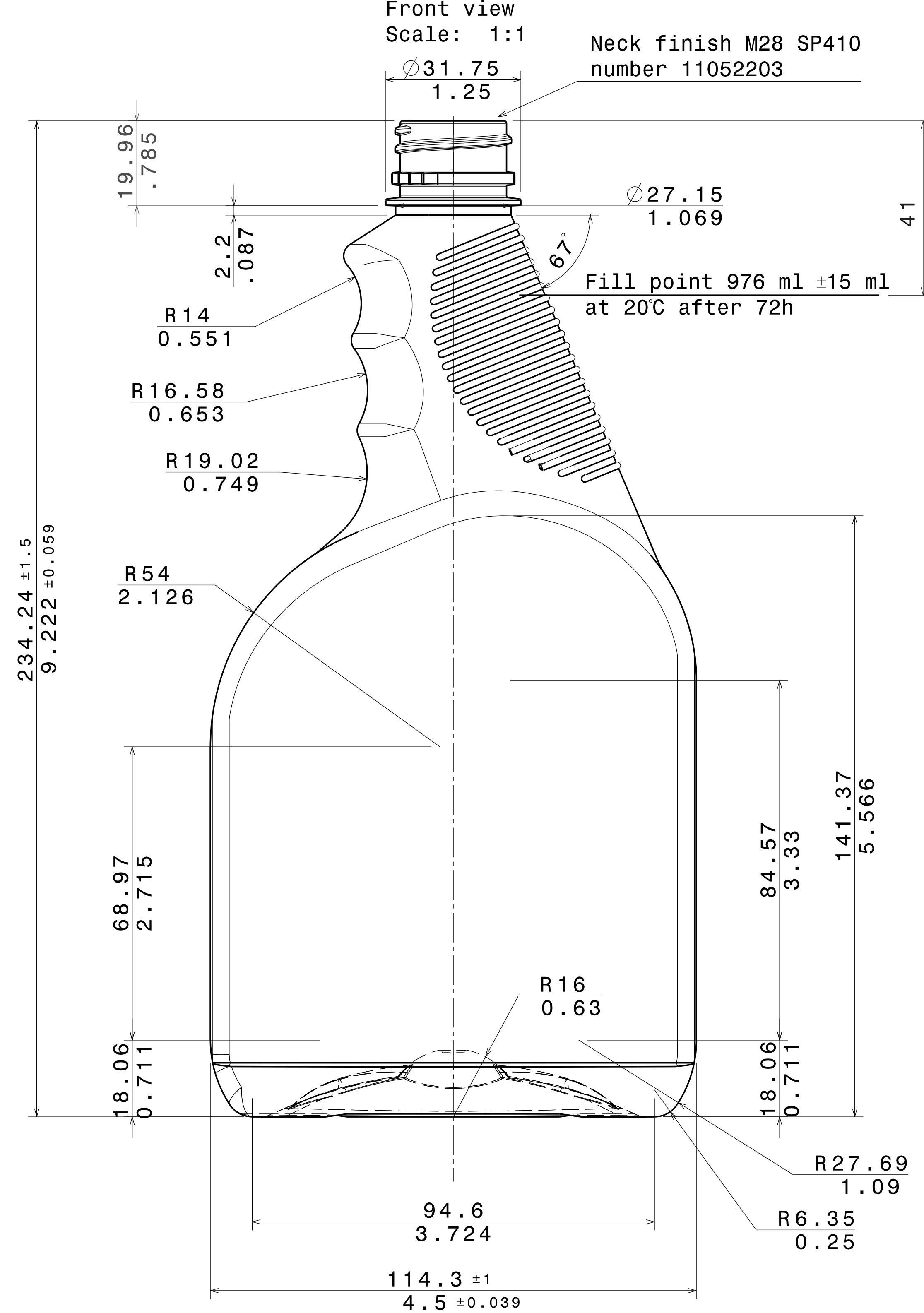
Bottom view  
Scale: 1:1



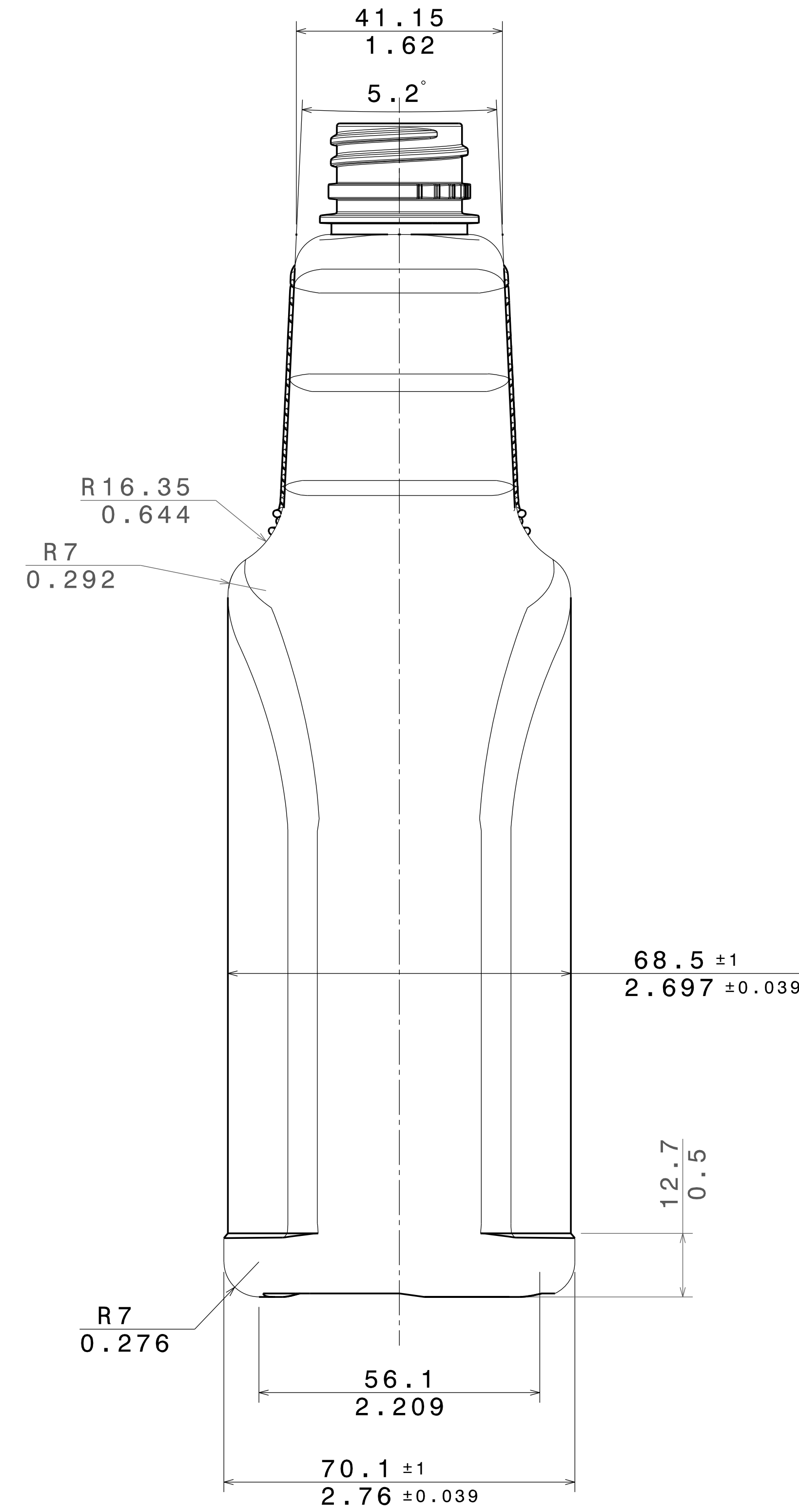
Right view  
Scale: 1:1



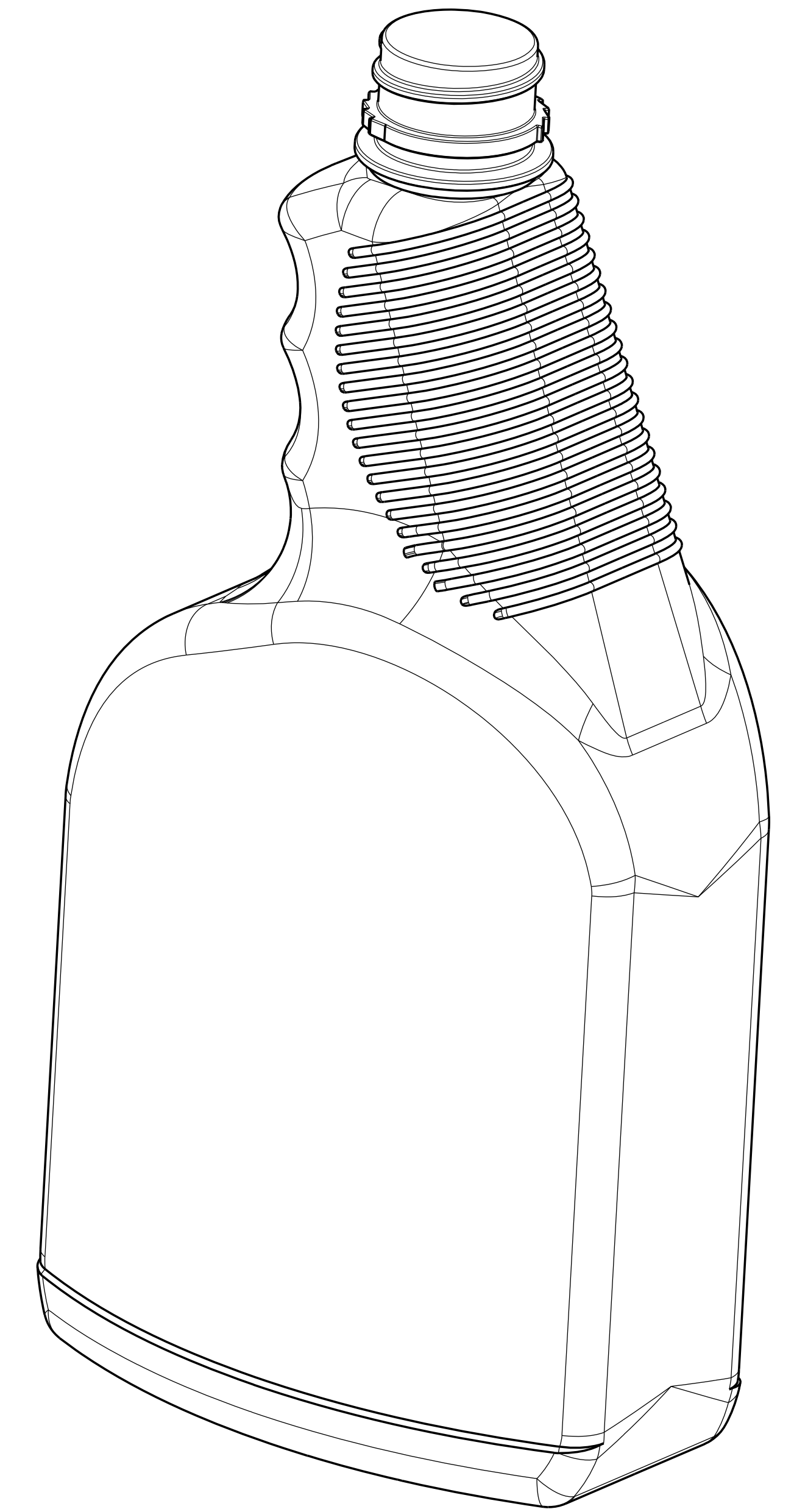
Front view  
Scale: 1:1



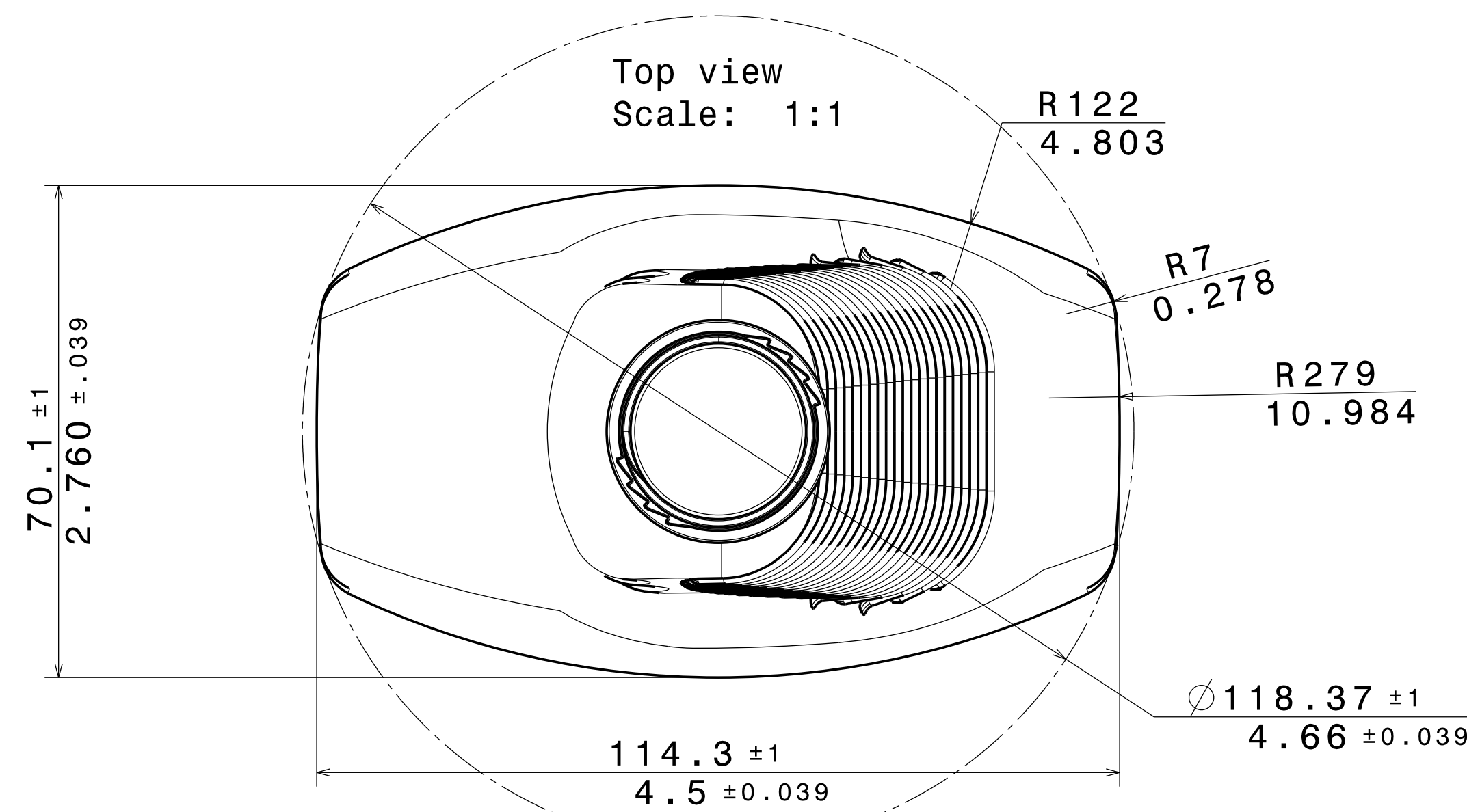
Left view  
Scale: 1:1



Isometric view  
Scale: 1:1



Top view  
Scale: 1:1



Volume ras bord théorique / theoretical brimfull at 20°C (after 72h)	1010.6 ml+15/-15ml	poids matière / material weight	50 g ±0.50 g
---	--------------------	---------------------------------	--------------

average diameter	1/2 length	label developed length	surface area	Neck finish reference	Neck rocking angle	Gravity center	Minimum Stability angle
99.700 mm	297.40 mm		67883 mm <sup>2</sup>	11052203 4.77 g		86.00 mm	19.50 Deg

**DISCLAIMER**

THIS INFORMATION IS PROVIDED AS A GENERAL GUIDE, INCLUDING DIMENSIONS. IT IS THE CUSTOMER'S RESPONSIBILITIES TO SELECT THE PROPER CONTAINER FOR PRODUCT AND APPLICATION COMPATIBILITY.

DISTRIBUTED BY:



REF NO.:

DWG31131

DESCRIPTION:

32 oz Clear PET Plastic Trigger Sprayer Bottle, 28 mm Ratchet, 50 Gram