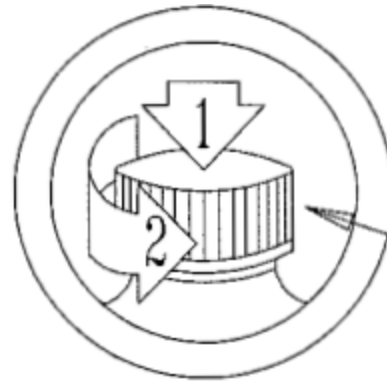
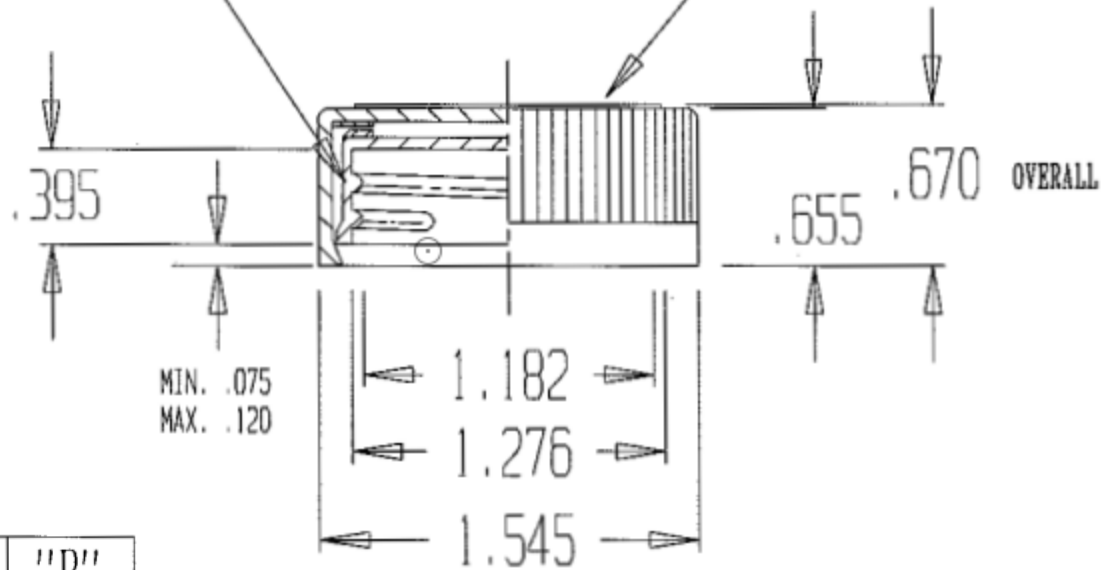


TWO PIECE CAP  
ASSEMBLED

6 THREADS PER INCH



PICTORIAL DESIGN  
.022 HIGH



"T"	"E"	"H"	"A"	"B"
1.276	1.182	.395	1.545	.670
MATERIAL: POLYPROPYLENE				
WEIGHT: 6.2 GRAMS (+/- 1 gram)				

**DISCLAIMER**

THIS INFORMATION IS PROVIDED AS A GENERAL GUIDE, INCLUDING DIMENSIONS. IT IS THE CUSTOMER'S RESPONSIBILITIES TO SELECT THE PROPER CONTAINER FOR PRODUCT AND APPLICATION COMPATIBILITY.

DISTRIBUTED BY:



REF NO.:

DWG30381

DESCRIPTION:

33-400 White PP Child Resistant Cap with F217 & PS22 Plain Liner