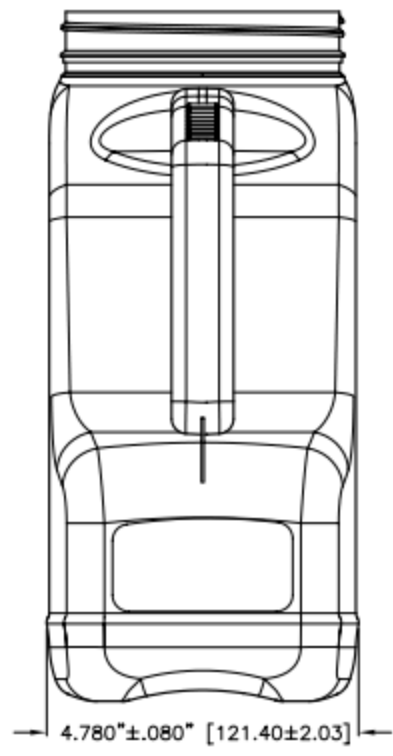
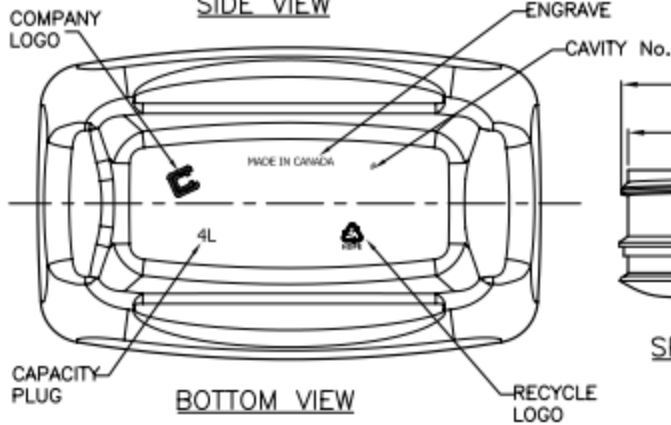


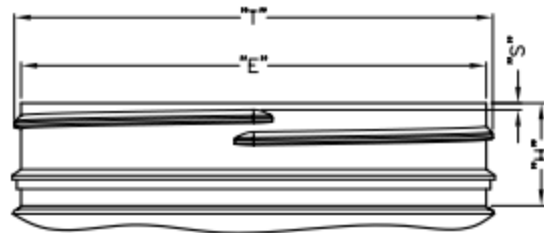
SIDE VIEW



BACK VIEW



BOTTOM VIEW



SP-400 110mm NECK FINISH

CAPACITY TO FILL LEVEL: 4L	"T"	"E"	"H"	"S"
OVERFLOW CAPACITY: 4.5L ±53ml	ø4.314±0.018	ø4.194±0.018	0.597±0.015	0.060±0.015

**DISCLAIMER**

THIS INFORMATION IS PROVIDED AS A GENERAL GUIDE, INCLUDING DIMENSIONS. IT IS THE CUSTOMER'S RESPONSIBILITIES TO SELECT THE PROPER CONTAINER FOR PRODUCT AND APPLICATION COMPATIBILITY.

DISTRIBUTED BY:



REF NO.:

DWG30419

DESCRIPTION:

4 Liter Natural HDPE Handleware, 110-400