

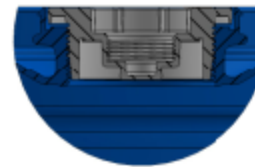
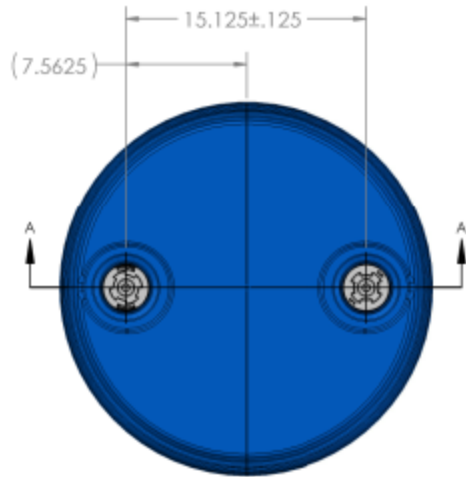


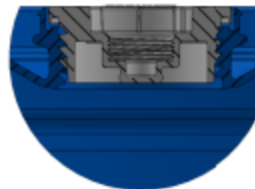
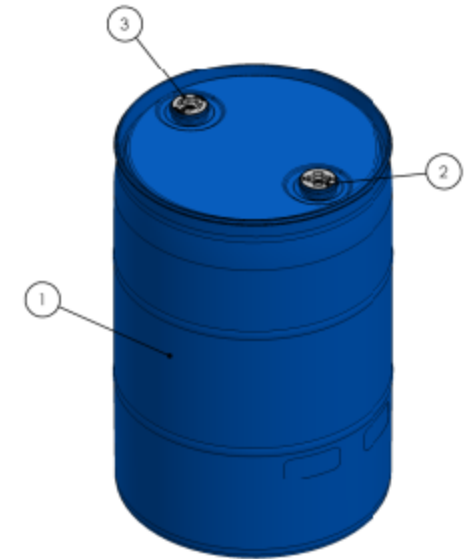
Regulatory Information: un 1H1/Y1.9/150 (Test Report P138)		Bill of Materials: Body: GP-55FRRH, extrusion blow molded high molecular weight high density polyethylene (HMW-HDPE) Fittings: 2" BTR and 2" NPS. Double Buttress configuration available. (BTR = Buttress, NPS = National Pipe Straight thread)		Product Illustration: 	
Nominal Capacity: 55.0 U.S. Gallons		Outage: 2.4 U.S. Gallons		Overall Height: 35.4 inches	
Maximum Capacity: 57.43 U.S. Gallons		Outage %: 4.4 %		Body Height: 35.4 inches	
Export Cubes: 10.71 cu. ft.		Nominal O.D.: 23.3 inches		Mid Panel Height: 11.7 inches	
Special Notes: 1) Maximum filling temperature 150 F for all foods and other FDA regulated substances. 160 F for all non-foods and other substances that are not regulated by FDA. When filled at these recommended maximum filling temperatures drums should be allowed to cool to ambient prior to stacking. Drums filled at elevated temperatures should be vented properly to prevent vacuum formation within the drum which can compromise stacking capability. 2) Drums may be stacked 3 high (1+2) maximum with pallets between drums. For nonvented drums, maximum top load on bottom drums not to exceed 2000 lbs each. Pallets should be of good quality that provides adequate support for plastic drums.		3) Handle with parrotbeak, side grabber, and sling. 4) Fits four wide in standard trailer. 5) Recycle symbol embossed on bottom. 6) Compatibility with hazardous materials as listed in 49CFR are the responsibility of the filler.			

<p align="center">DISCLAIMER</p> <p>THIS INFORMATION IS PROVIDED AS A GENERAL GUIDE, INCLUDING DIMENSIONS. IT IS THE CUSTOMER'S RESPONSIBILITIES TO SELECT THE PROPER CONTAINER FOR PRODUCT AND APPLICATION COMPATIBILITY.</p>	DISTRIBUTED BY: 	REF NO.: DWGxxxxx
	DESCRIPTION: DescriptionDescriptionDescriptionDescriptionDescription	

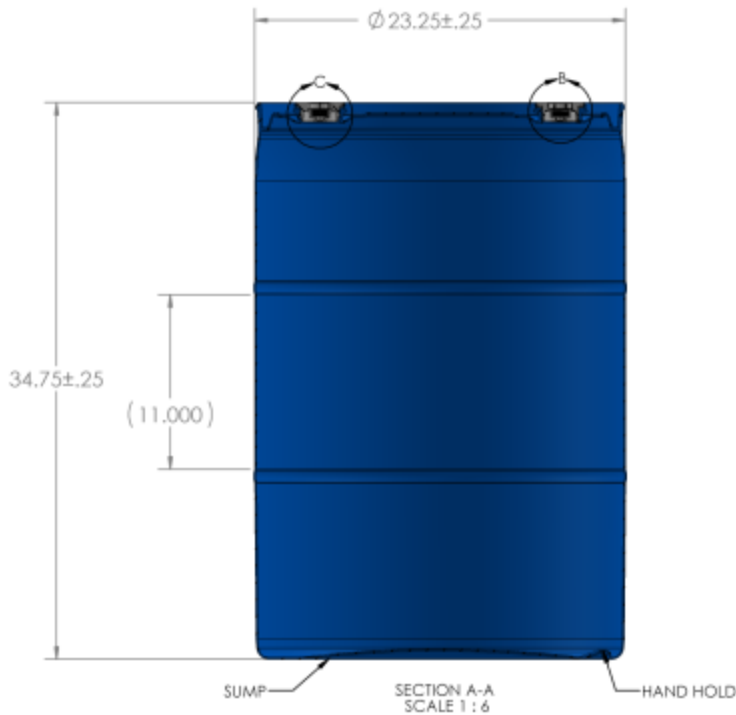
ITEM NO.	PART NUMBER	DESCRIPTION	QTY.
1	412-82-C-02	55 GAL. L1 DRUM	1
2	L16-WLXX	2" NPS PLUG	1
3	L10-WLXX	2" BUTTRESS PLUG	1



DETAIL B
SCALE 1 : 1.5
2" NPS CLOSURE



DETAIL C
SCALE 1 : 1.5
2" BUTTRESS CLOSURE



DISCLAIMER

THIS INFORMATION IS PROVIDED AS A GENERAL GUIDE, INCLUDING DIMENSIONS. IT IS THE CUSTOMER'S RESPONSIBILITIES TO SELECT THE PROPER CONTAINER FOR PRODUCT AND APPLICATION COMPATIBILITY.

DISTRIBUTED BY:



REF NO.:

DWG30474

DESCRIPTION:

55 Gallon Black Plastic Tight Head Drum