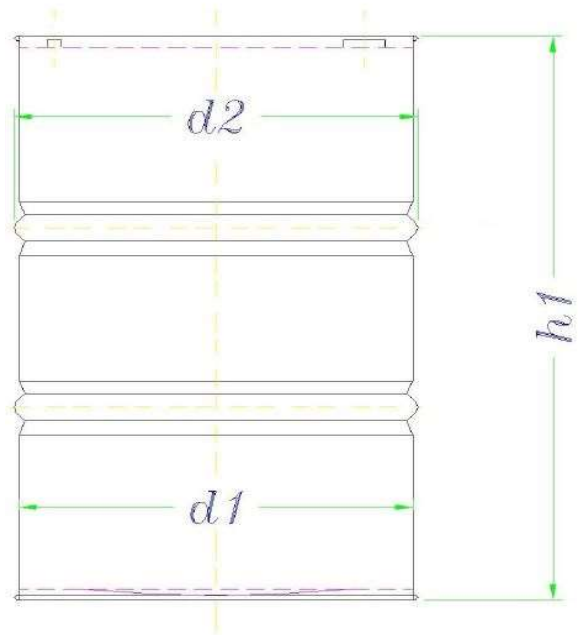


83815

<b>Description</b>	55 Gallon Steel Tight Head Drum
<b>Material</b>	
Head	1.2MM
Body	.9MM
Bottom	1.2MM
<b>UN Number</b>	1A1/X1.8/300
<b>Exterior Finish</b>	
Head	White
Body	Black
Bottom	Recycle Gray
<b>Linning</b>	100% Phenolic Olive
<b>Fittings</b>	Type 1 - 2" & 3/4"
<b>Gaskets</b>	EPDM/Poly
<b>Hoop</b>	(2) "W"



Dimensions	Measurements	Tolerances
h1	34.875 in	+ .125 / - .125
d1	22.5 in	+ / -0.0
d2	23.425 in	+/-0.0
<b>Dimensions of Material</b>		
steel thickness of top	0.047 in	
steel thickness of body	0.035 in	
steel thickness of bottom	0.047 in	
<b>Capacity</b>		
nominal volume	55 gal	
gross volume	57.2 gal	
<b>Weight</b>		
total	37 lbs	+2 lbs / -2 lbs

DISCLAIMER

THIS INFORMATION IS PROVIDED AS A GENERAL GUIDE, INCLUDING DIMENSIONS. IT IS THE CUSTOMER'S RESPONSIBILITIES TO SELECT THE PROPER CONTAINER FOR PRODUCT AND APPLICATION COMPATIBILITY.

DISTRIBUTED BY:



REF NO.:

DWG30882

DESCRIPTION:

55 Gallon Black Steel TH Drum, Olive Phenolic Lining, White Cover with 2 in & .75 in Fittings