

### Dimensions

|                                  |           |
|----------------------------------|-----------|
| (A) Fitting Centers              | 17.5"     |
| (B) Outside Diameter (+/- 1/16") | 23 13/16" |
| (C) Inside Diameter (+/- 1/16")  | 22.5"     |
| (D) Height (+/- 1/8")            | 34 1/4"   |
| Weight (+/-3%)                   | 39.2 lb   |

### Material

|        |                   |
|--------|-------------------|
| Head   | 1.2 mm CRCQ Steel |
| Body   | 0.9 mm CRCQ Steel |
| Bottom | 1.2 mm CRCQ Steel |

\*All Steel tolerances conform to ISO3574

### Head Fittings

|          |                             |
|----------|-----------------------------|
| Flanges  | 2"+3/4" TS Plated with Buna |
| Plugs    | 2"+3/4" TS Plated with Poly |
| Capseals | No                          |

### Closing Ring

|           |                                     |
|-----------|-------------------------------------|
| Ring      | 12 GA SQ Forged Lug                 |
| Bolt, Nut | 5/8" cross-drilled with Nylon patch |
| Gasket    | 7/16" EPDM                          |

### Interior

|         |                   |
|---------|-------------------|
| Coating | RI Rust Inhibitor |
|---------|-------------------|

### Exterior Coating

|         |              |
|---------|--------------|
| Top     | White        |
| A Panel | Black        |
| B Panel | Black        |
| C Panel | Black        |
| Bottom  | Gray Recycle |

### Silkscreen

|    |
|----|
| No |
|----|

### Embossing

|                |            |             |
|----------------|------------|-------------|
| UN1A2/Y1.5/150 | 1A2/X400/S | 1.2/0.9/1.2 |
|----------------|------------|-------------|

### Inkjet

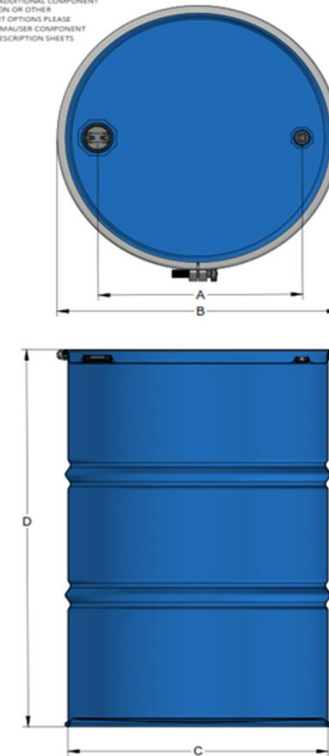
|                |            |       |    |
|----------------|------------|-------|----|
| UN1A2/Y1.5/150 | 1A2/X400/S | M4601 | JD |
|----------------|------------|-------|----|

### Special Instructions

2" and 3/4" plugs tightened.

Notes: The photo shown below may or may not be identical to the description given.

NOTE: FOR ADDITIONAL COMPONENT INFORMATION OR OTHER COMPONENT OPTIONS PLEASE REFERENCE MAUSER COMPONENT PRODUCT DESCRIPTION SHEETS



### DISCLAIMER

THIS INFORMATION IS PROVIDED AS A GENERAL GUIDE, INCLUDING DIMENSIONS. IT IS THE CUSTOMER'S RESPONSIBILITIES TO SELECT THE PROPER CONTAINER FOR PRODUCT AND APPLICATION COMPATIBILITY.

DISTRIBUTED BY:



REF NO.:

DESCRIPTION: