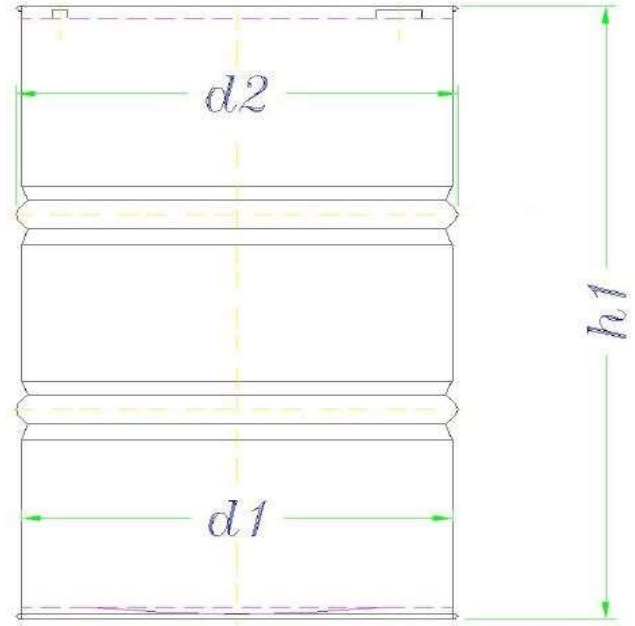


83421

Description	55 Gallon Steel Tight Head Drum	
Material		
Head	1.1MM	
Body	0.8MM	
Bottom	1.1MM	
UN Number	1A1/X1.8/300	
Exterior Finish		
Head	Grind Yellow	
Body	Shell Red	
Bottom	Recycle Gray	
Linning	Rust Inhibitor	
Fittings	Type 1 - 2" & 3/4"	
Gaskets	Buna/Buna	
Hoop	(2) "W"	



Dimensions	Measurements	Tolerances
h1	34.875 in	+ .125 / - .125
d1	22.5 in	+ / -0.0
d2	23.425 in	+/- .0.0
Dimensions of Material		
steel thickness of top	0.043 in	
steel thickness of body	0.031 in	
steel thickness of bottom	0.043 in	
Capacity		
nominal volume	55 gal	
gross volume	57.2 gal	
Weight		
total	33.5 LBS	+2 lbs / -2 lbs

DISCLAIMER

THIS INFORMATION IS PROVIDED AS A GENERAL GUIDE, INCLUDING DIMENSIONS. IT IS THE CUSTOMER'S RESPONSIBILITIES TO SELECT THE PROPER CONTAINER FOR PRODUCT AND APPLICATION COMPATIBILITY.

DISTRIBUTED BY:



REF NO.:

DWG30884

DESCRIPTION:

55 Gallon Shell Red Steel TH Drum, Unlined, Yellow Cover, with 2 in & .75 in Tri-Sure Fitting