

Notes: The photo shown below may or may not be identical to the description given.

Dimensions

Fitting Centers	17.5"
Outside Diameter (+/- 1/16")	23.0"
Inside Diameter (+/- 1/16")	22.5"
Height (+/- 1/8")	34.75
Weight (+/-3%)	33.5

Material

Head	1.1 mm CRCQ Steel
Body	0.8 mm CRCQ Steel
Bottom	1.1 mm CRCQ Steel

*All Steel tolerances conform to ISO3574

Head Fittings

Flanges	2" + 3/4" RK Plated with POLY gasket
Plugs	2" + 3/4" RK Plated R-6
Capseals	No

Closing Ring

Ring	na
Bolt	na

Interior

Coating	None
	Clean, Dry

Exterior Coating

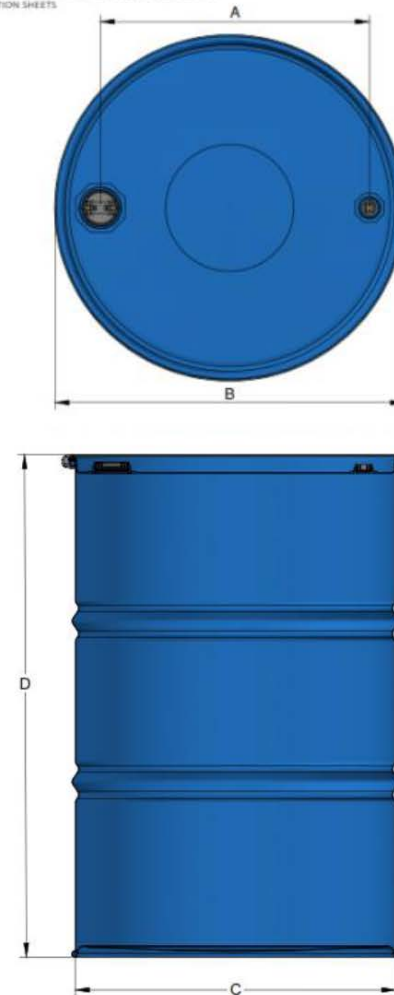
Top	White
A Panel	White
B Panel	White
C Panel	White
Bottom	Gray Recycle

Slikscreen No.

Embossing UN 1A1/X1.8/300/YR 1.1/0.8/1.1

Inkjet UN 1A1/X1.8/300/YR USA M-4601; JD

NOTE: FOR ADDITIONAL COMPONENT INFORMATION OR OTHER COMPONENT OPTIONS PLEASE REFERENCE MAUSER COMPONENT PRODUCT DESCRIPTION SHEETS



DISCLAIMER

THIS INFORMATION IS PROVIDED AS A GENERAL GUIDE, INCLUDING DIMENSIONS. IT IS THE CUSTOMER'S RESPONSIBILITIES TO SELECT THE PROPER CONTAINER FOR PRODUCT AND APPLICATION COMPATIBILITY.

DISTRIBUTED BY:



REF NO.:

DESCRIPTION: