

DIMENSION	CAPACITY (GALLONS)									
	2 1/2	3	3 1/2	4	5	20 L	5 1/2	6	6 1/2	7
"A"	7 1/8"	8 9/16"	9 11/16"	11"	13 7/16"	14 1/16"	14 11/16"	15 11/16"	16 7/16"	17 15/16"
"B"	7 1/4"	8 11/16"	9 13/16"	11 1/8"	13 9/16"	14 3/16"	14 13/16"	15 13/16"	16 9/16"	18 1/16"

- NOTES:**
1. Can be made in any gallon or liter size from 2.5-7.0 gal.
 2. Available without bead.
 3. Overall Outage is 4% Rated Capacity.
 4. All Dimensions are $\pm 1/8$ "

*AVAILABLE IN MULTIPLE COLOR AND LINING OPTIONS

DISCLAIMER

THIS INFORMATION IS PROVIDED AS A GENERAL GUIDE, INCLUDING DIMENSIONS. IT IS THE CUSTOMER'S RESPONSIBILITIES TO SELECT THE PROPER CONTAINER FOR PRODUCT AND APPLICATION COMPATIBILITY.

DISTRIBUTED BY:

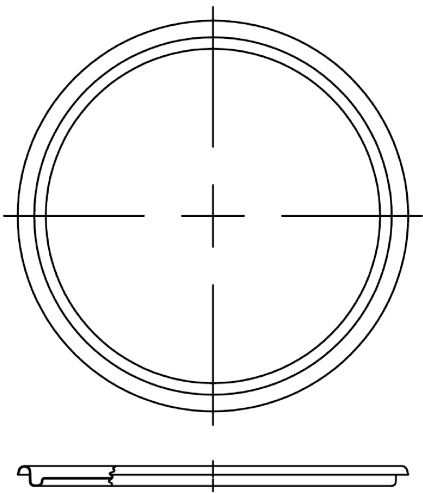


REF NO.:

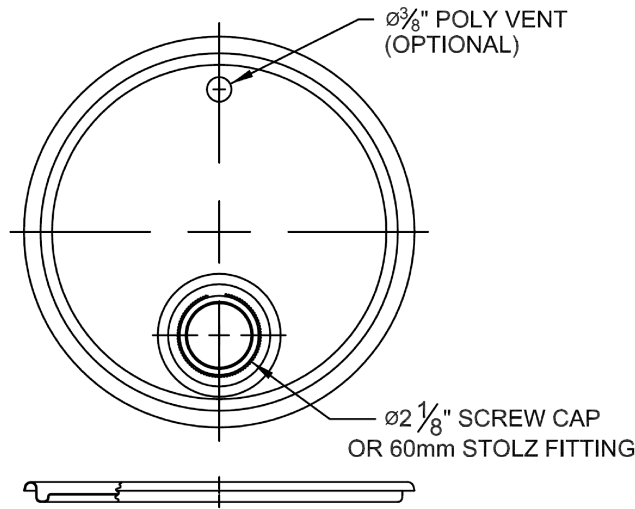
DWG10002

DESCRIPTION:

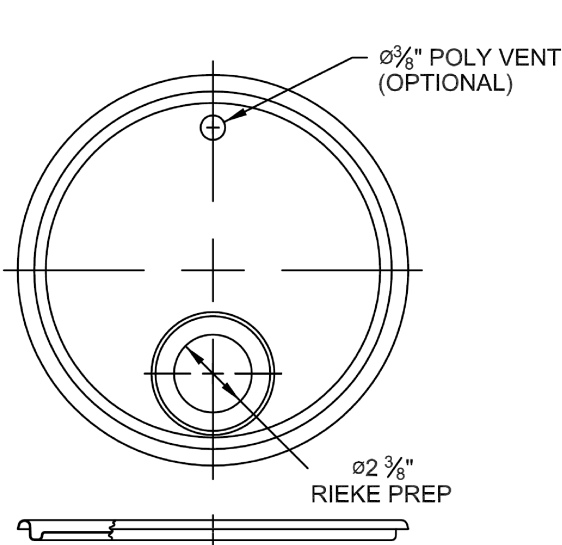
Straight Side Pail w/ Lug Cover



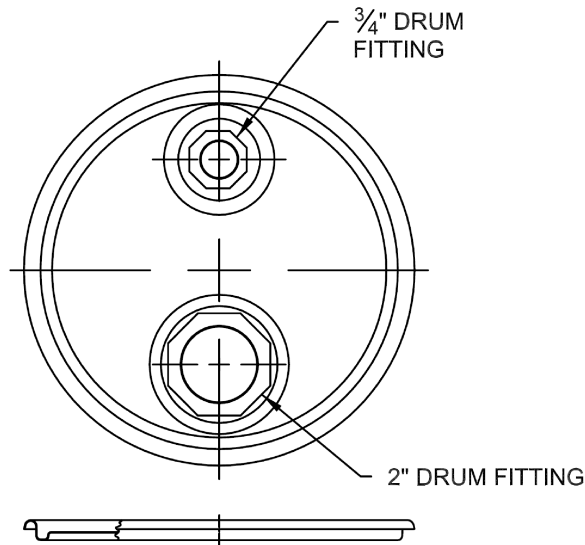
Ring Seal Cover



Screw Cap & Stolz Fitting:



Rieke Prep:



Drum Fittings:

COVER GASKETS AVAILABLE

Flow - in Gasket

G1 - EPDM Tubular Gasket

G2 - Neoprene Tubular Gasket - White

G3 - Neoprene Tubular Gasket - Black

G3Q - Neoprene Tubular Gasket

G6 - SBR Tubular Gasket - Black (small dia)

NOTES:

1. Fits all Steel pails 2.5 gallon to 7.0 gallon
2. Use with Lever Lock Rings on Page 10

*AVAILABLE IN MULTIPLE COLOR AND LINING OPTIONS

DISCLAIMER

THIS INFORMATION IS PROVIDED AS A GENERAL GUIDE, INCLUDING DIMENSIONS. IT IS THE CUSTOMER'S RESPONSIBILITIES TO SELECT THE PROPER CONTAINER FOR PRODUCT AND APPLICATION COMPATIBILITY.

DISTRIBUTED BY:



REF NO.:

DWG10006

DESCRIPTION:

Ring Seal Cover (UN Rated)