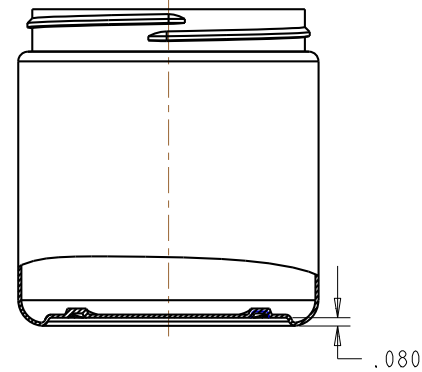
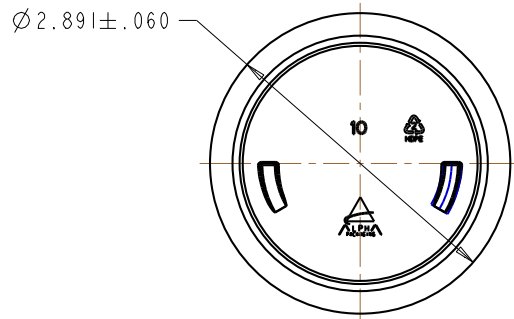
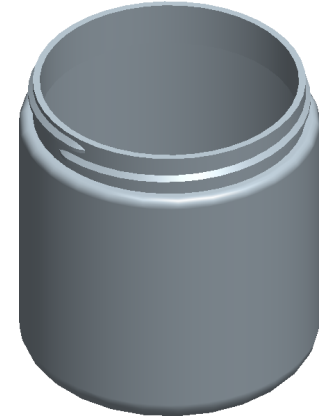


DETAIL A
M70-400 NECK FINISH
6 T.P.I., 1 THREAD TURN
SCALE 2.000



SECTION B-B

Color	Min. Thk	Weight	Overflow Volume
ALL COLORS	.025	27.0 ± 2.0g	285.0 ± 7.0cc

DISCLAIMER

THIS INFORMATION IS PROVIDED AS A GENERAL GUIDE, INCLUDING DIMENSIONS. IT IS THE CUSTOMER'S RESPONSIBILITIES TO SELECT THE PROPER CONTAINER FOR PRODUCT AND APPLICATION COMPATIBILITY.

DISTRIBUTED BY:



REF NO.:

DWG30818

DESCRIPTION:

8 oz White HDPE Plastic Wide Mouth Straight Sided Jar,
70-400, 27 Gram