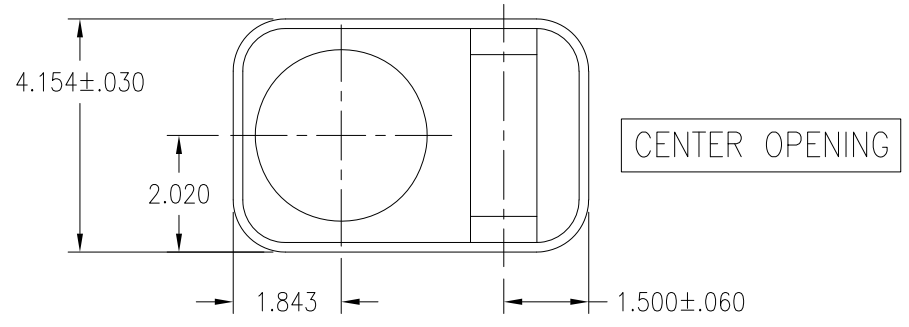
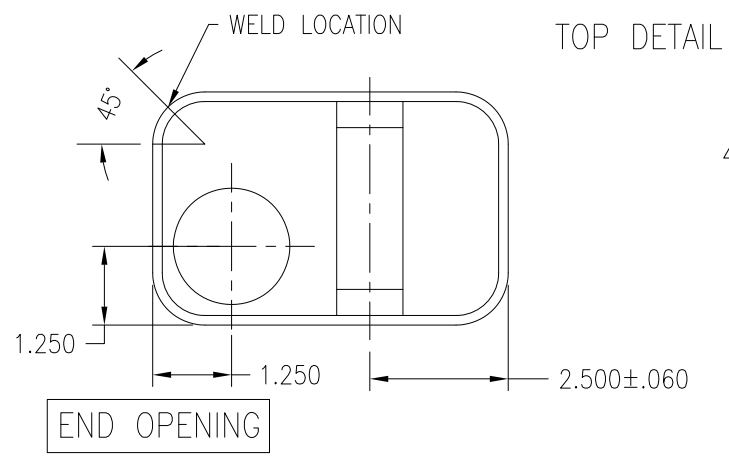
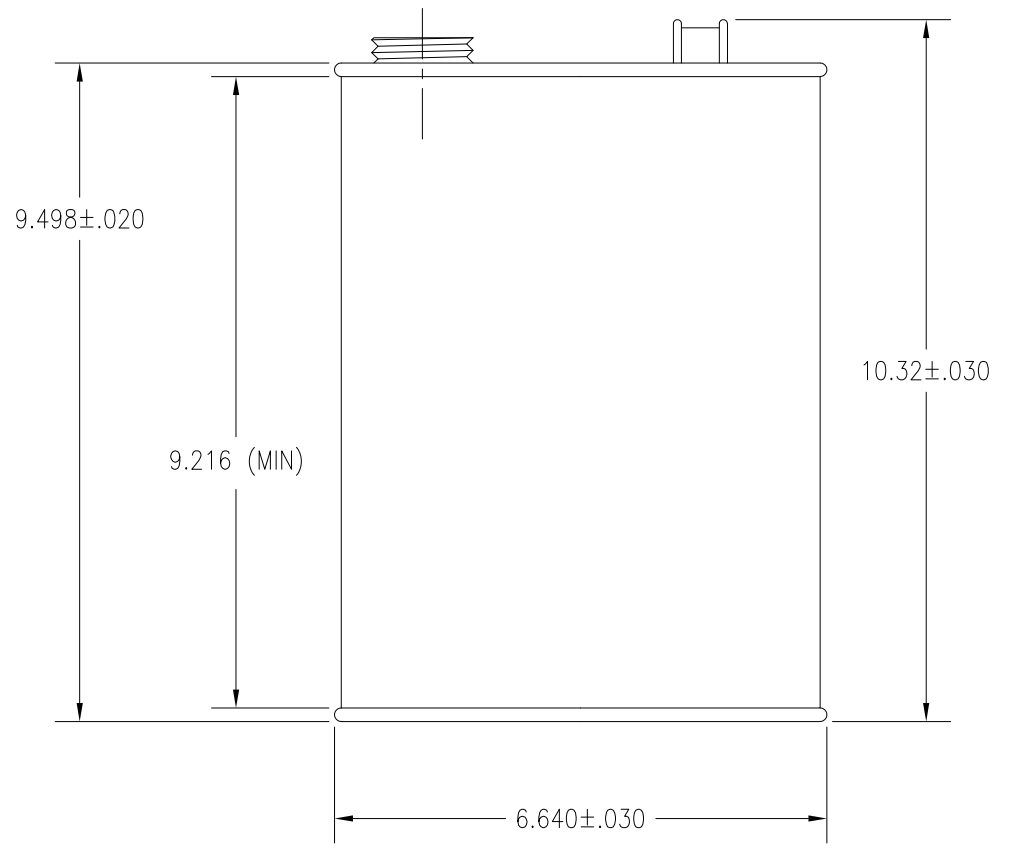



| NOZZLE SIZE & TYPE | CENTER OPENING | END OPENING |
|------------------------|----------------|-------------|
| RIEKE JR. | | ✓ |
| 32mm METRIC DIN | | ✓ |
| 32mm METRIC REL | | ✓ |
| 1 1/8" BETA | | ✓ |
| 1 1/4" ALPHA | | ✓ |
| 1 1/4" INTERNATIONAL | | ✓ |
| 1 3/4" ALPHA | | ✓ |
| 1 3/4" DELTA | | ✓ |
| 1 3/4" INTERNATIONAL | | ✓ |
| 2-5/8" SINGLE FRICTION | ✓ | |
| 2-7/8" SCREW NECK | ✓ | |
| 42mm REL | | ✓ |
| .954" INWARD CURL | | ✓ |
| .954" OUTWARD CURL | | ✓ |
| 57mmDIN | ✓ | |



DISCLAIMER

THIS INFORMATION IS PROVIDED AS A GENERAL GUIDE, INCLUDING DIMENSIONS. IT IS THE CUSTOMER'S RESPONSIBILITIES TO SELECT THE PROPER CONTAINER FOR PRODUCT AND APPLICATION COMPATIBILITY.

DISTRIBUTED BY:  REF NO.: DWG30157

DESCRIPTION: 1 Gallon F-Style Can, Unlined, 32 mm REL Opening