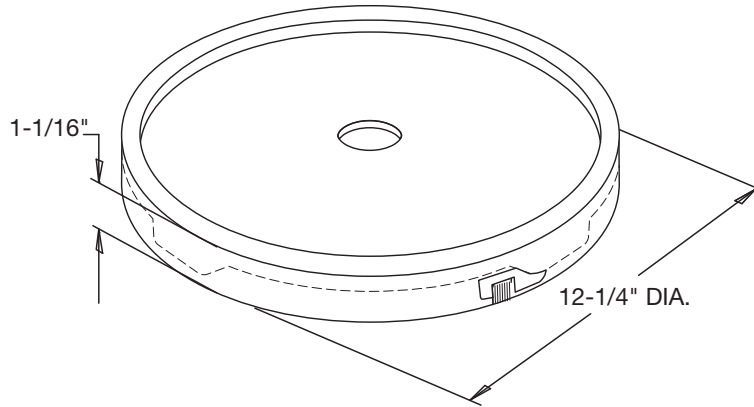


# Product Specifications

## Tamper-Evident Round EZ Cover® (T5FT)



### Features

- Exclusive four-tab EZ Cover® design
- EZ to open and reseal
- Tamper-evident tear-strip
- Medium duty cover performance
- Flowed-in gasket (FIG) for dry or liquid applications

### Used with 12-3/8" Diameter Bodies

<b>Models</b>	<b>Nominal capacity</b>
C127	3.2-gallon
R038/R039	3.5-gallon
R358	3.5-gallon
R047/R049	4.25-gallon
R458	4.5-gallon
R057/R058/R059	5.0-gallon
C538/C539	5.3-gallon
C549	5.3-gallon
R068/R069	6.0-gallon

### Product Weight

T5FT: .47 lbs. / .22 kgs.

### Shipping Data

Qty. per pallet/carton:	1,152 (24 boxes of 48)
Length (in./cm.):	50/127
Width (in./cm.):	40/101.6
Height (in./cm.):	89/226.1

### Materials

Resin: Prime High Density Polyethylene (HDPE)  
FDA and USDA approved materials  
MSDS Sheets available upon request

DISTRIBUTED BY:



REF NO.:

DWG30567

DESCRIPTION: White HDPE EZ Stor Tamper Evident Cover for 3.2 - 6 Gallon Pails

### DISCLAIMER

THIS INFORMATION IS PROVIDED AS A GENERAL GUIDE, INCLUDING DIMENSIONS. IT IS THE CUSTOMER'S RESPONSIBILITIES TO SELECT THE PROPER CONTAINER FOR PRODUCT AND APPLICATION COMPATIBILITY.