

Product Specifications

1-Gallon Lightweight Polypropylene Round Container with FIG EZ Cover®

Multiple Uses

Dry Products
Liquid Products

Product Codes

Container: **R014**
Description: 1-gallon round can

Cover: T1FZ

Description: Tamper-evident, round EZ Cover®
flowed-in gasket

Features

Gauge: 40 mil.
Nominal capacity: 1 USG / 3.8 L
Stack performance: 150 lbs.*
Tare weights: Body: .313 lbs. / .142 kgs.
Cover: .20 lbs. / .09 kgs.

Note: *Ratings will be reduced with uneven load distribution.

Specifications with Cover

Dimensions: 8-1/4"D X 7-5/16"H
Maximum capacity: 1.1 USG / 4.2 L
Tare weight: .513 lbs. / .232 kgs.

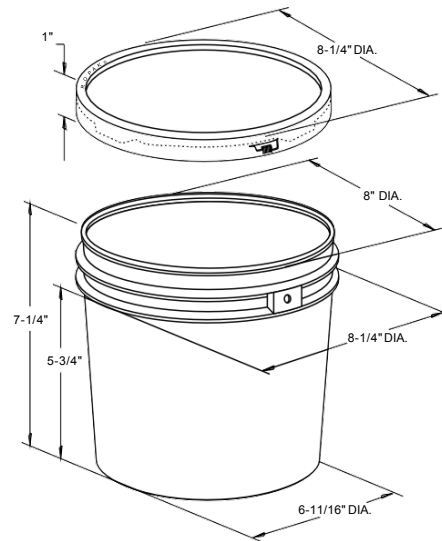
Colors

Standard: White, Black and Natural
Custom: Available at manufacturer's discretion

Decorating Options

Silk - Screening: 20-3/4"W X 4-1/2"H
Four or six* color offset printing
Print area: 22-3/4"W X 4-1/2"H
Sleeve or pressure sensitive labeling

Note: *Where available



Shipping Data

	Bodies	Covers
Qty. per pallet:	450	3,000 (20 boxes of 150)
Gross Weight (lbs./kgs.):*	140.9/63.9	600/270
Den. (lbs./C.F./kgs./m3):	4.1/66	6.5/103.1
Length (in./cm.):	49.5/125.7	50.5/128.3
Width (in./cm.):	41.3/104.9	42.5/107.9
Height (in./cm.):	29/73.7	74.5/189.2

Filled Containers

180 (30 per layer/6 layers high)
Pallet height: 48"

Estimated truckload quantity of 25,650 bodies and covers**

Notes: *Weight does not include pallet/packaging
**Truckload quantity based on 53' trailer

Materials

FDA approved materials
Resin: Body: Polypropylene (PP)
Cover: High-Density Polyethylene (HDPE)
Hot Melt Synthetic Resin – Flowed-in Gasket
MSDS Sheets available upon request

Optional Carrying Handle

DISCLAIMER
THIS INFORMATION IS PROVIDED AS A GENERAL GUIDE, INCLUDING DIMENSIONS. IT IS THE CUSTOMER'S RESPONSIBILITIES TO SELECT THE PROPER CONTAINER FOR PRODUCT AND APPLICATION COMPATIBILITY.

DISTRIBUTED BY:



REF NO.:

DWG30569

DESCRIPTION:

1 gallon Black HDPE Open Head Pail