

# UN 5.0-Gallon Round Solid Packaging with EZ Cover®

## Multiple Uses

Solid Hazardous Materials  
 Solid Packaging (1H2)  
 Packing Group II or III (Y)  
 Gross mass rating of 27 kg. / 59.5 lbs.

## Product Codes

Container: **U059**  
 Description: 5.0-gallon round can  
 Cover: **LTGZ**  
 Description: Tamper-evident, EZ Cover  
 with four tabs and tubular gasket

## Features

Gauge: 90 mil.  
 Nominal capacity: 5.0 USG / 19.0L  
 Stack performance: 400 lbs.\*  
 Tare weights: Body: 2.12 lbs. / .96 kgs.  
 Cover: .60 lbs. / .27 kgs.

Note: \*Ratings will be reduced with uneven load distribution.

## Specifications with Cover

Dimensions: 12-3/8"D. X 14-7/8"H  
 Maximum capacity: 5.6 USG / 21 L  
 Tare weight: 2.72 lbs. / 1.23 kgs.\*

Note: \*With handle, add .10 lbs.

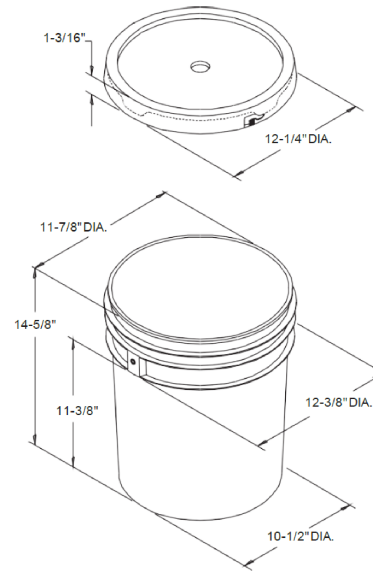
## Colors

Standard: White, Black and Natural  
 Custom: Available at manufacturer's discretion

## Decorating Options

Silk - Screening: 32"W X 8-3/4"H  
 Four or six\* color offset printing  
 Print area: 34"L X 9-1/4"H  
 Sleeve or pressure sensitive labeling

Notes: \*Where available



## Shipping Data

	Bodies	Covers*
Qty. per pallet/carton:	144	1152 (24 boxes of 48)
Gross Weight (lbs./kgs.)**:	305.3/138.5	691.2/311
Den. (lbs./C.F./kgs./m3):	5.9/95.5	6.2/98.1
Length (in./cm.):	49.3/125.2	51/129.5
Width (in./cm.):	37.5/95.3	40/101.6
Height (in./cm.):	49.5/127.7	95/241.3

Full truckload quantity of 6,336 bodies and covers\*\*\*

## Filled Containers

36 (12 per layer / 3 layers high)  
 Pallet height: 48.8"

Notes: \*Bulk pack of 288 also available  
 \*\*Weight does not include pallet/packaging  
 \*\*\*Truckload quantity based on 53' trailer

## Materials

FDA approved materials  
 Resin: Body: High-Density Polyethylene (HDPE)  
 Cover: High-Density Polyethylene (HDPE) with  
 Ethylene Propylene Diene Monomer (EPDM) Gasket

## Optional Carrying Handles

Plastic HDPE or  
 Metal nine-gauge gal. steel

## DISCLAIMER

THIS INFORMATION IS PROVIDED AS A GENERAL GUIDE, INCLUDING DIMENSIONS. IT IS THE CUSTOMER'S RESPONSIBILITIES TO SELECT THE PROPER CONTAINER FOR PRODUCT AND APPLICATION COMPATIBILITY.

DISTRIBUTED BY:



DWG NO.:

DWG10142

DESCRIPTION:

5 gallon HDPE Open Head Pail