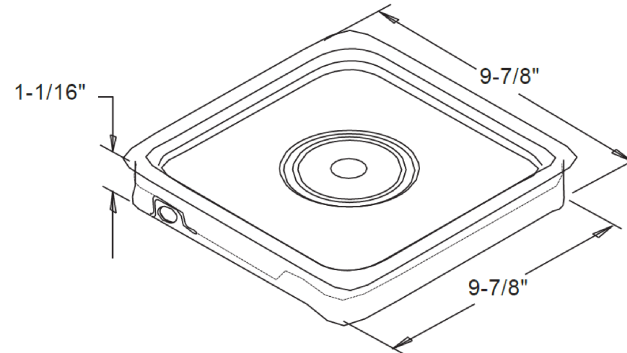


# Tamper-Evident Square EZ Cover® with Ring Pull® (STDR)



## Features

- Exclusive EZ Cover design with Ring Pull
- EZ to open and reseal with two tabs
- Tamper-evident tear strip
- Medium duty cover performance
- Dry seal closure

## Used with Ropak Square Bodies

<u>Models</u>	<u>Nominal capacity</u>
SA26	2.1-gallon
S026	2.1-gallon
S337	3.3-gallon
S357	3.5-gallon
S377	3.7-gallon
S047	4-gallon
SA48	4-gallon
S048	4-gallon
S427	4.25-gallon
S438	4.25-gallon
S05C	5-gallon

## Product Weight

STDR: .37 lbs. / .17 kgs.

## Shipping Data

Qty. per pallet:	2,304 (24 boxes of 96)
Gross Weight (lbs./kgs.):	852.5 / 391.7
Length (in./cm.):	51/129.5
Width (in./cm.):	41/104.1
Height (in./cm.):	89/223.6

*Note: Bulk packs of 1,240 also available.*

## Materials

Resin: Prime High Density Polyethylene (HDPE)  
 FDA and USDA approved materials  
 MSDS Sheets available upon request

### DISCLAIMER

THIS INFORMATION IS PROVIDED AS A GENERAL GUIDE, INCLUDING DIMENSIONS. IT IS THE CUSTOMER'S RESPONSIBILITIES TO SELECT THE PROPER CONTAINER FOR PRODUCT AND APPLICATION COMPATIBILITY.

DISTRIBUTED BY:



REF NO.:

DWG10392

DESCRIPTION:

4 Gallon HDPE Square Tear Tab Cover