

## 2.1-Gallon Square Container with EZ Cover®

### Multiple Uses

Dry Products

### Product Codes

Container: **S026**

Description: 2.1-gallon square can

Cover: **STDR**

Description: Tamper-evident, square EZ Cover® with Ring Pull™

### Features

Built in hand grips  
 Gauge: 60 mil.  
 Nominal capacity: 2.1 USG / 8.0 L  
 Stack performance: 150 lbs.\*  
 Tare weights: Body: .81 lbs. / .37 kgs.  
 Cover: .37 lbs. / .17 kgs.

Note: \*Ratings will be reduced with uneven load distribution.

### Specifications with Cover

Dimensions: 9-15/16" X 9-15/16" X 7-5/8"H  
 Maximum capacity: 2.2 USG / 8.3 L  
 Tare weight: 1.18 lbs. / .54 kgs.

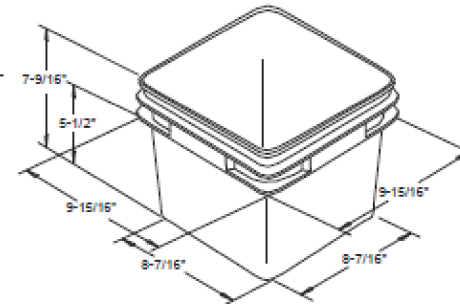
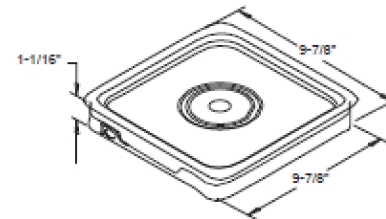
### Colors

Standard: White, Black, Natural and Clear  
 Custom: Available at manufacturer's discretion

### Decorating Options

Silk - Screening: 5"W X 3-1/2"H  
 Four or six\* color offset printing  
 Print area: 4-1/2"W X 3-1/2"H  
 Sleeve or pressure sensitive labeling

Note: \*Where available



### Shipping Data

	Bodies	Covers
Qty. per pallet:	400	2,304 (24 boxes of 96)
Gross Weight (lbs./kgs.)**:	324/148	852.5/391.7
Den. (lbs./C.F./kgs./m3):	6.0/97.2	8.0/129.9
Length (in./cm.):	51/129.5	51/129.5
Width (in./cm.):	41/104.1	41/104.1
Height (in./cm.):	44.5/113	89/223.6

### Filled Containers

120 (20 per layer / 6 layers high)  
 Pallet height: 49.5"

Estimated truckload quantity of 16,000 bodies and covers\*\*\*

Notes: \*Bulk pack also available  
 \*\*Weight does not include pallet/packaging  
 \*\*\*Truckload quantity based on 53' trailer

### Materials

FDA approved materials  
 Resin: Body: High-Density Polyethylene (HDPE)  
 or Clear Polypropylene (PP)  
 Cover: High-Density Polyethylene (HDPE)  
 MSDS Sheets available upon request

### Optional Carrying Handle

### DISCLAIMER

THIS INFORMATION IS PROVIDED AS A GENERAL GUIDE, INCLUDING DIMENSIONS. IT IS THE CUSTOMER'S RESPONSIBILITIES TO SELECT THE PROPER CONTAINER FOR PRODUCT AND APPLICATION COMPATIBILITY.

DISTRIBUTED BY:



DWG NO.:

DWG10138

DESCRIPTION:

2 gallon HDPE Open Head Pail