

2.0 Gallon Pail with 2.0 Gallon Cover

Multiple Uses

Dry Products
Liquid Products

Product Codes

Pail: **1200 Series**
Description: 2.0 Gallon LBR Pail

Cover: 2200 Series

Description: 2.0 Gallon Cover
Note: *Available with optional tint plug opening

Features

Gauge: 70 mil
Nominal capacity: 2.0 USG / 7.6 L
Stack performance: 150 lbs.*
Tare weights: Body: .82 lbs. / 370 gr.
Cover: .28 lbs. / 125 gr.

Note: *Ratings will be reduced with uneven load distribution.

Specifications with Cover

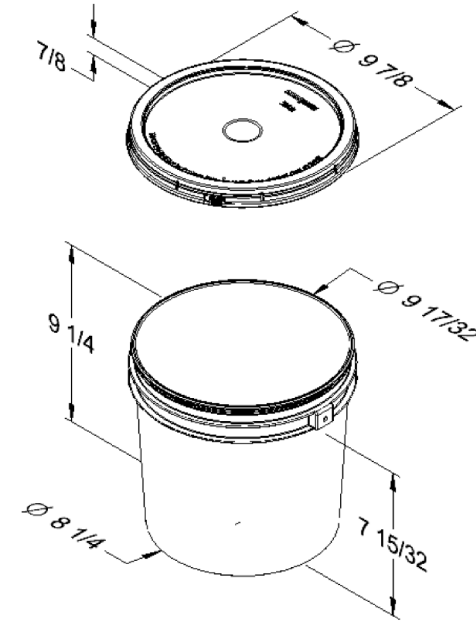
Dimensions: 9 7/8"D. X 9 1/2"H
Maximum capacity: 2.1 USG / 7.9 L
Tare weight: 1.09 lbs. / .49 kgs.

Colors

Standard: White, Black and Natural
Custom: Available at manufacturer's discretion

Decorating Options

Four color offset printing
Print area: 27"W X 5-3/4"H
Sleeve or pressure sensitive labeling



Shipping Data

| | Bodies | Covers |
|--|---------------|---------------|
| Qty. per pallet/carton: | 720* | *5,460 |
| Gross Weight (lbs./kgs.)**: | 590.4/267 | 1,529/694 |
| Length (in./cm.): | 49.4/125.4 | 48/121.9 |
| Width (in./cm.): | 39.5/100.3 | 40/101.6 |
| Height (in./cm.): | 88/223.5 | 98/249 |
| Approximate truckload quantity of 10,800 pails and covers*** | | |

Filled Containers

36 (12 per layer/3 layers high)
Pallet height: 28 1/2"

Notes:

*Quantity can vary based on customer request
**Weight does not include pallet/packaging
***Based on 53' trailer and full pallet quantities

Materials

FDA approved materials
Resin: Body: High-Density Polyethylene (HDPE) Cover: High-Density Polyethylene (HDPE)
MSDS Sheets available upon request

Optional Carrying Handle – Wire or Plastic

DISCLAIMER

THIS INFORMATION IS PROVIDED AS A GENERAL GUIDE, INCLUDING DIMENSIONS. IT IS THE CUSTOMER'S RESPONSIBILITIES TO SELECT THE PROPER CONTAINER FOR PRODUCT AND APPLICATION COMPATIBILITY.

DISTRIBUTED BY:



DWG NO.:

DWG10126

DESCRIPTION:

2 gallon HDPE Open Head Pail