

4-Gallon Square Container with S4 Cover

Multiple Uses

Dry Products

Product Codes

Container: **S047**

Description: 4-gallon square can

Cover: **S4D0**

Description: Square, dry seal cover

Features

Built in hand grips
 Gauge: 65 mil.
 Nominal capacity: 4.0 USG / 15.0 L
 Stack performance: 175 lbs.*
 Tare weights: Body: 1.32 lbs. / .60 kgs.
 Cover: .33 lbs. / .15 kgs.

Note: *Ratings will be reduced with uneven load distribution.

Specifications with Cover

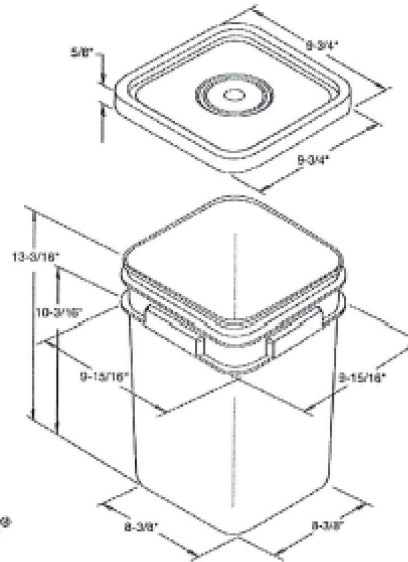
Dimensions: 9-15/16" X 9-15/16" X 13-1/4"H
 Maximum capacity: 4.1 USG / 15.5 L
 Tare weight: 1.65 lbs. / .75 kgs.

Colors

Standard: White, Black, Natural and Clear
 Custom: Available at manufacturer's discretion

Decorating Options

Silk - Screening: 5"W X 7-1/2"H
 Four or six" color offset printing
 Print area: 5"W X 7-1/2"H on each panel
 Sleeve, pressure sensitive labeling (PSL) or NXT Graphics®
 Note: *Where available



Shipping Data

	Bodies	Covers
Qty. per pallet:	240	2,304 (24 boxes of 96)
Gross Weight (lbs./kgs)**:	316.8/144	760.3/345.6
Den. (lbs./C.F./kgs./m3):	5.4/86.7	9.5/152.7
Length (in./cm.):	51.7/131.3	50/127
Width (in./cm.):	42.2/107.2	40/101.6
Height (in./cm.):	46.5/118.1	69/175.3

Estimated truckload quantity of 11,040 bodies and covers***

Notes: *Bulk pack also available
 **Weight does not include pallet/packaging
 ***Truckload quantity based on 53' trailer

Filled Containers

60 (20 per layer / 3 layers high)
 Pallet height: 44"

Materials

FDA approved materials
 Resin: Body: High-Density Polyethylene (HDPE)
 or Clear Polypropylene (PP)
 Cover: Prime High-Density Polyethylene (HDPE)
 MSDS Sheets available upon request

Optional Carrying Handle

DISCLAIMER

THIS INFORMATION IS PROVIDED AS A GENERAL GUIDE, INCLUDING DIMENSIONS. IT IS THE CUSTOMER'S RESPONSIBILITIES TO SELECT THE PROPER CONTAINER FOR PRODUCT AND APPLICATION COMPATIBILITY.

DISTRIBUTED BY:



DWG NO.:

DWG10128

DESCRIPTION:

4 gallon HDPE Open Head Pail